

DIGITAL SOUND PROJECTOR

YSP-1

SERVICE MANUAL

IMPORTANT NOTICE

This manual has been provided for the use of authorized YAMAHA Retailers and their service personnel. It has been assumed that basic service procedures inherent to the industry, and more specifically YAMAHA Products, are already known and understood by the users, and have therefore not been restated.

WARNING: Failure to follow appropriate service and safety procedures when servicing this product may result in personal injury, destruction of expensive components, and failure of the product to perform as specified. For these reasons, we advise all YAMAHA product owners that any service required should be performed by an authorized YAMAHA Retailer or the appointed service representative.

IMPORTANT: The presentation or sale of this manual to any individual or firm does not constitute authorization, certification or recognition of any applicable technical capabilities, or establish a principle-agent relationship of any form.

The data provided is believed to be accurate and applicable to the unit(s) indicated on the cover. The research, engineering, and service departments of YAMAHA are continually striving to improve YAMAHA products. Modifications are, therefore, inevitable and specifications are subject to change without notice or obligation to retrofit. Should any discrepancy appear to exist, please contact the distributor's Service Division.

WARNING: Static discharges can destroy expensive components. Discharge any static electricity your body may have accumulated by grounding yourself to the ground buss in the unit (heavy gauge black wires connect to this buss).

IMPORTANT: Turn the unit OFF during disassembly and part replacement. Recheck all work before you apply power to the unit.

■ CONTENTS

TO SERVICE PERSONNEL	2	SELF DIAGNOSIS FUNCTION (DIAG) /	
FRONT PANEL	3	自己診断機能 (ダイアグ)	20~36
REAR PANELS	3	DISPLAY DATA	37
REMOTE CONTROL PANELS	4	IC DATA	38~39
SPECIFICATIONS / 参考仕様	4	BLOCK DIAGRAM	40
INTERNAL VIEW	5	PRINTED CIRCUIT BOARD	41~49
SET MENU TABLE	6	PIN CONNECTION DIAGRAM	50
DISASSEMBLY PROCEDURES / 分解手順	7~12	SCHEMATIC DIAGRAM	51~54
UPDATING FIRMWARE /		PARTS LIST	55~66
ファームウェアの書き込み	13~19	REMOTE CONTROL	67

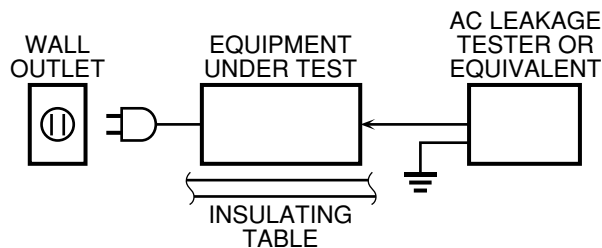


このサービスマニュアルは、エコマーク認定の再生紙を使用しています。
This Service Manual uses recycled paper.



■ TO SERVICE PERSONNEL

- Critical Components Information**
Components having special characteristics are marked ⚠ and must be replaced with parts having specifications equal to those originally installed.
- Leakage Current Measurement (For 120V Models Only)**
When service has been completed, it is imperative to verify that all exposed conductive surfaces are properly insulated from supply circuits.
 - Meter impedance should be equivalent to 1500 ohms shunted by 0.15 μ F.



- Leakage current must not exceed 0.5mA.
- Be sure to test for leakage with the AC plug in both polarities.

WARNING: CHEMICAL CONTENT NOTICE!

The solder used in the production of this product contains LEAD. In addition, other electrical/electronic and/or plastic (where applicable) components may also contain traces of chemicals found by the California Health and Welfare Agency (and possibly other entities) to cause cancer and/or birth defects or other reproductive harm.

DO NOT PLACE SOLDER, ELECTRICAL/ELECTRONIC OR PLASTIC COMPONENTS IN YOUR MOUTH FOR ANY REASON WHATSOEVER!

Avoid prolonged, unprotected contact between solder and your skin! When soldering, do not inhale solder fumes or expose eyes to solder/flux vapor!

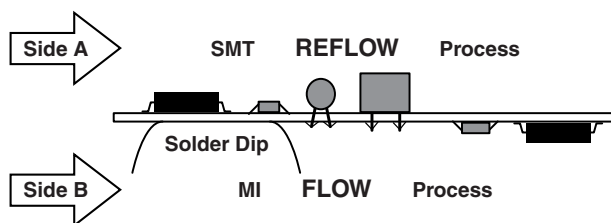
If you come in contact with solder or components located inside the enclosure of this product, wash your hands before handling food.

About Lead Free Solder / 無鉛ハンダについて

The P.C.B.s installed in this unit are soldered using the following solder.

本機に搭載されている基板のハンダ付けに使用されているハンダは下記の通りです。

	SIDE A / A 面	SIDE B / B 面
DSP P.C.B.	Lead Free Solder / 無鉛ハンダ	Lead Free Solder / 無鉛ハンダ
AMP P.C.B.	Lead Free Solder / 無鉛ハンダ	Lead Free Solder / 無鉛ハンダ
INPUT P.C.B.	—	Lead Free Solder / 無鉛ハンダ



Among some types of lead free solder currently available, it is recommended to use one of the following types for the repair work.

- Sn + Ag + Cu (tin + silver + copper)
- Sn + Cu (tin + copper)
- Sn + Zn + Bi (tin + zinc + bismuth)

無鉛ハンダにはいくつかの種類がありますが、修理時には下記のような無鉛ハンダの使用を推奨します。

- Sn+Ag+Cu (錫+銀+銅)
- Sn+Cu (錫+銅)
- Sn+Zn+Bi (錫+亜鉛+ビスマス)

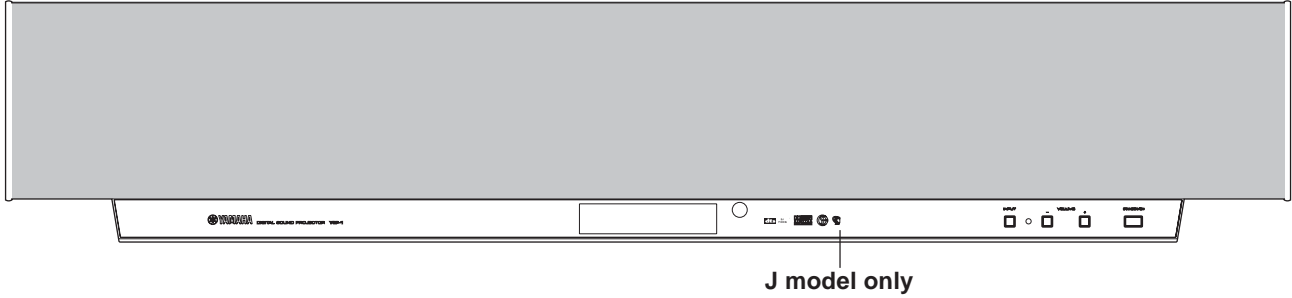
Caution:

- As the melting point temperature of the lead free solder is about 30°C to 40°C (50°F to 70°F) higher than that of the lead solder, be sure to use a soldering iron suitable to each solder.
- If lead solder must be used, be sure to remove lead free solder from each terminal section of the parts to be replaced and from the area around it completely before soldering, or make sure that the lead free solder and lead solder melt together fully.

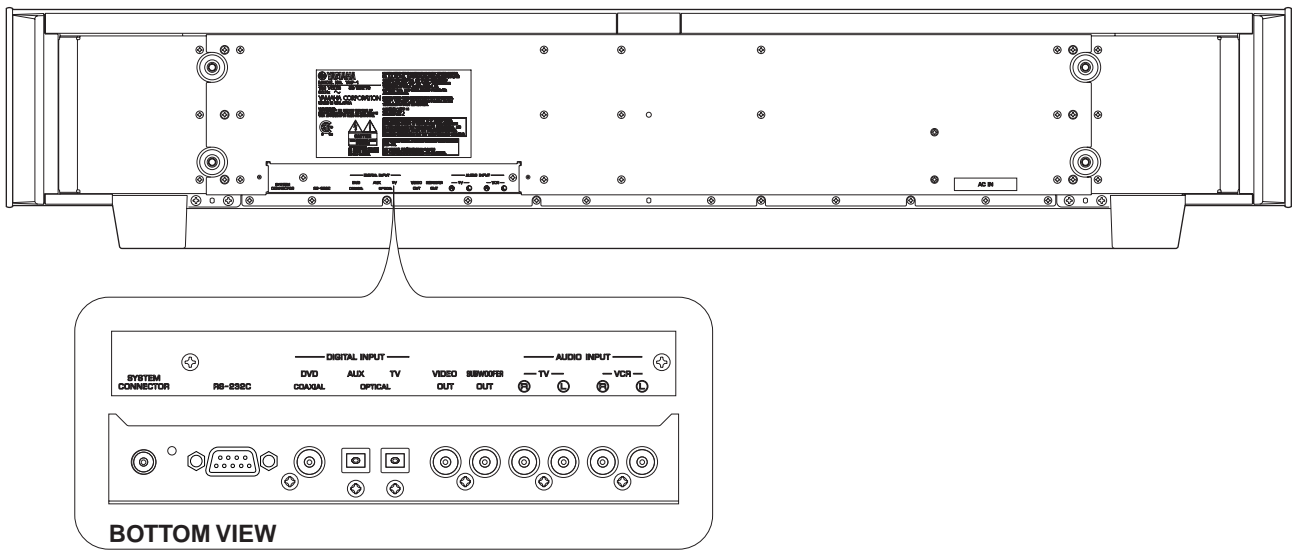
注意:

- ① 無鉛ハンダの融点温度は通常の鉛入りハンダに比べ30～40°C程度高くなっていますので、それぞれのハンダに合ったハンダごてをご使用ください。
- ② 鉛入りハンダを使わざるを得ない場合は、あらかじめ交換する部品端子部やその周辺部の無鉛ハンダをすべて取り除くか、あるいは無鉛ハンダと鉛入りハンダが十分に溶けた状態となるようにハンダ付けしてください。

FRONT PANEL



REAR PANELS



U, C models

YAMAHA MODEL NO. YSP-1
 120 VOLTS 50 WATTS
 60 Hz
 YAMAHA CORPORATION
 MADE IN MALAYSIA

MANUFACTURED UNDER LICENSE FROM DOLBY THEATER SYSTEM, INC. U.S. PAT. NO'S. 5,417,641; 5,418,474; 5,474,882; 5,474,792; 5,474,883 AND OTHER U.S. AND WORLD-WIDE PATENTS ISSUED AND PENDING. "DTS" AND "DTSX" ARE REGISTERED TRADEMARKS OF DOLBY THEATER SYSTEM, INC. ALL RIGHTS RESERVED.

MANUFACTURED UNDER LICENSE FROM DOLBY LABORATORIES, "DOLBY", "PRO LOGIC" AND THE DOUBLE-D SYMBOL ARE TRADEMARKS OF DOLBY LABORATORIES.

MANUFACTURED UNDER LICENSE FROM DOLBY LABORATORIES, "DOLBY", "PRO LOGIC" AND THE DOUBLE-D SYMBOL ARE TRADEMARKS OF DOLBY LABORATORIES.

THIS DEVICE COMPLIES WITH PART II OF THE FCC RULES, OPERATION IS SUBJECT TO THE FOLLOWING TWO CONDITIONS:
 (1) THIS DEVICE MUST NOT CAUSE HARMFUL INTERFERENCE, AND
 (2) THIS DEVICE MUST ACCEPT ANY INTERFERENCE RECEIVED, INCLUDING INTERFERENCE THAT MAY CAUSE UNDESIRABLE OPERATION.

THIS CLASS B DIGITAL APPARATUS COMPLEYS WITH CANADIAN ICES-008.
 ATTENTION: Répondez de ce type d'électronique ne peut causer.

R model

YAMAHA MODEL NO. YSP-1
 110-120 VOLTS
 50 WATTS 50/60 Hz
 YAMAHA CORPORATION

MANUFACTURED UNDER LICENSE FROM DOLBY THEATER SYSTEM, INC. U.S. PAT. NO'S. 5,417,641; 5,418,474; 5,474,882; 5,474,792; 5,474,883 AND OTHER U.S. AND WORLD-WIDE PATENTS ISSUED AND PENDING. "DTS" AND "DTSX" ARE REGISTERED TRADEMARKS OF DOLBY THEATER SYSTEM, INC. ALL RIGHTS RESERVED.

MANUFACTURED UNDER LICENSE FROM DOLBY LABORATORIES, "DOLBY", "PRO LOGIC" AND THE DOUBLE-D SYMBOL ARE TRADEMARKS OF DOLBY LABORATORIES.

T model

YAMAHA 马来西亚 制造
 MODEL NO. YSP-1
 220 V
 60 Hz
 产品技术标准: GB8898-2001

MANUFACTURED UNDER LICENSE FROM DOLBY THEATER SYSTEM, INC. U.S. PAT. NO'S. 5,417,641; 5,418,474; 5,474,882; 5,474,792; 5,474,883 AND OTHER U.S. AND WORLD-WIDE PATENTS ISSUED AND PENDING. "DTS" AND "DTSX" ARE REGISTERED TRADEMARKS OF DOLBY THEATER SYSTEM, INC. ALL RIGHTS RESERVED.

MANUFACTURED UNDER LICENSE FROM DOLBY LABORATORIES, "DOLBY", "PRO LOGIC" AND THE DOUBLE-D SYMBOL ARE TRADEMARKS OF DOLBY LABORATORIES.

B, G models

YAMAHA MODEL NO. YSP-1
 230 VOLTS 50 WATTS
 50 Hz
 YAMAHA CORPORATION
 MADE IN MALAYSIA

MANUFACTURED UNDER LICENSE FROM DOLBY THEATER SYSTEM, INC. U.S. PAT. NO'S. 5,417,641; 5,418,474; 5,474,882; 5,474,792; 5,474,883 AND OTHER U.S. AND WORLD-WIDE PATENTS ISSUED AND PENDING. "DTS" AND "DTSX" ARE REGISTERED TRADEMARKS OF DOLBY THEATER SYSTEM, INC. ALL RIGHTS RESERVED.

MANUFACTURED UNDER LICENSE FROM DOLBY LABORATORIES, "DOLBY", "PRO LOGIC" AND THE DOUBLE-D SYMBOL ARE TRADEMARKS OF DOLBY LABORATORIES.

CE EMC

K model

YAMAHA MODEL NO. YSP-1
 240 VOLTS 50 WATTS
 60/50 Hz
 YAMAHA CORPORATION

MANUFACTURED UNDER LICENSE FROM DOLBY THEATER SYSTEM, INC. U.S. PAT. NO'S. 5,417,641; 5,418,474; 5,474,882; 5,474,792; 5,474,883 AND OTHER U.S. AND WORLD-WIDE PATENTS ISSUED AND PENDING. "DTS" AND "DTSX" ARE REGISTERED TRADEMARKS OF DOLBY THEATER SYSTEM, INC. ALL RIGHTS RESERVED.

MANUFACTURED UNDER LICENSE FROM DOLBY LABORATORIES, "DOLBY", "PRO LOGIC" AND THE DOUBLE-D SYMBOL ARE TRADEMARKS OF DOLBY LABORATORIES.

A model

YAMAHA MODEL NO. YSP-1
 240 VOLTS 50 WATTS
 60 Hz
 YAMAHA CORPORATION
 MADE IN MALAYSIA

MANUFACTURED UNDER LICENSE FROM DOLBY THEATER SYSTEM, INC. U.S. PAT. NO'S. 5,417,641; 5,418,474; 5,474,882; 5,474,792; 5,474,883 AND OTHER U.S. AND WORLD-WIDE PATENTS ISSUED AND PENDING. "DTS" AND "DTSX" ARE REGISTERED TRADEMARKS OF DOLBY THEATER SYSTEM, INC. ALL RIGHTS RESERVED.

MANUFACTURED UNDER LICENSE FROM DOLBY LABORATORIES, "DOLBY", "PRO LOGIC" AND THE DOUBLE-D SYMBOL ARE TRADEMARKS OF DOLBY LABORATORIES.

N89

L model

YAMAHA MODEL NO. YSP-1
 220-240 VOLTS
 50 WATTS 50/60 Hz
 YAMAHA CORPORATION

MANUFACTURED UNDER LICENSE FROM DOLBY THEATER SYSTEM, INC. U.S. PAT. NO'S. 5,417,641; 5,418,474; 5,474,882; 5,474,792; 5,474,883 AND OTHER U.S. AND WORLD-WIDE PATENTS ISSUED AND PENDING. "DTS" AND "DTSX" ARE REGISTERED TRADEMARKS OF DOLBY THEATER SYSTEM, INC. ALL RIGHTS RESERVED.

MANUFACTURED UNDER LICENSE FROM DOLBY LABORATORIES, "DOLBY", "PRO LOGIC" AND THE DOUBLE-D SYMBOL ARE TRADEMARKS OF DOLBY LABORATORIES.

J model

YAMAHA MODEL NO. YSP-1
 100V 55W 50/60Hz
 YAMAHA CORPORATION
 MADE IN MALAYSIA

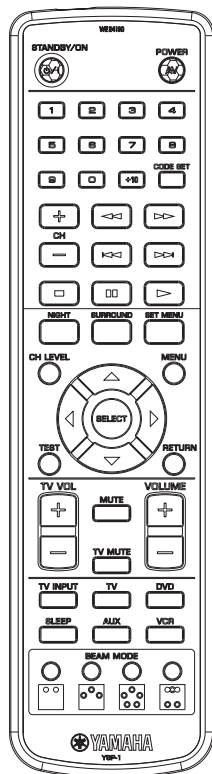
MANUFACTURED UNDER LICENSE FROM DOLBY THEATER SYSTEM, INC. U.S. PAT. NO'S. 5,417,641; 5,418,474; 5,474,882; 5,474,792; 5,474,883 AND OTHER U.S. AND WORLD-WIDE PATENTS ISSUED AND PENDING. "DTS" AND "DTSX" ARE REGISTERED TRADEMARKS OF DOLBY THEATER SYSTEM, INC. ALL RIGHTS RESERVED.

MANUFACTURED UNDER LICENSE FROM DOLBY LABORATORIES, "DOLBY", "PRO LOGIC" AND THE DOUBLE-D SYMBOL ARE TRADEMARKS OF DOLBY LABORATORIES.

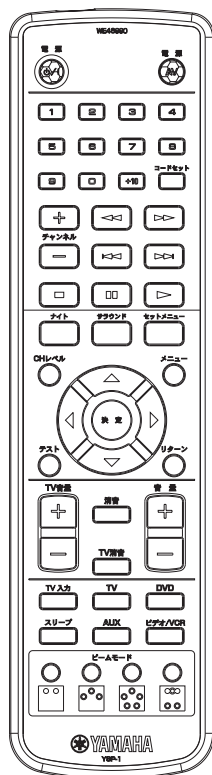
LICENSED AAC PATENTS
 SEE INSTRUCTION MANUAL FOR PATENT INFO
 THE "AAC" LOGO IS A TRADEMARK OF DOLBY LABORATORIES.

■ REMOTE CONTROL PANELS

U, C, R, T, K, A, B, G, L models



J model



■ SPECIFICATIONS / 参考仕様

■ Audio Section / オーディオ部

Minimum RMS Output Power (Power Amp. Section) / 定格出力 (パワーアンプ部)

Woofer [100Hz, 10%THD, 4 ohms]	20W x 2
Tweeter [1kHz, 10%THD, 10 ohms]	2W x 40

Input Jack / 入力端子

AUX, TV	1V / 32 k-ohms
---------------	----------------

Output Jack / 出力端子

VIDEO	1Vp-p / 75 ohms
Subwoofer	2V / 75 k-ohms (Input 1V / 100Hz)

Driver / スピーカーユニット

Woofer	4.5" (11 cm) cone x 2	Magnetic Shielding Type
Tweeter	1.5" (4 cm) cone x 40	Magnetic Shielding Type

■ General / 総合

Power Supply / 電源電圧

U, C models	AC 120 V, 60 Hz
R model	AC 110-120 V, 50/60 Hz
T model	AC 220 V, 50 Hz
K model	AC 220 V, 60 Hz
A model	AC 240 V, 50 Hz
B, G models	AC 230 V, 50 Hz
L model	AC 220-240 V, 50/60 Hz
J model	AC 100V, 50/60 Hz

Power Consumption / 消費電力

U, C, R, T, K, A, B, G, L models	50 W
J model	55 W

Standby Power Consumption (reference data) / 待機時消費電力 (参考値)

.....	0.5 W or less
-------	---------------

Dimensions / 寸法 (W x H x D)

.....	1030 x 194 x 118 mm (40-9/16" x 7-5/8" x 4-11/16")
-------	--

Weight / 質量

.....	13 kg (34 lbs. 3 oz.)
-------	-----------------------

Accessories / 付属品

Remote Control, Batteries (Manganese Dry), Power Cable, Video Pin Cable, Audio Pin Cable, Digital Audio Pin Cable, Optical Cable, Fastener x 4, Cable Clip

U	U.S.A. model	C	Canadian model
R	General model	T	Chinese model
K	Korean model	A	Austrarian model
B	British model	G	European model
L	Singapore model	J	Japanese model

* Specifications are subject to change without notice due to product improvements.

※ 参考仕様および外観は予告なく変更されることがあります。



Manufactured under license from Dolby Laboratories.
 “Dolby”, “Pro Logic”, and the double-D symbol are trademarks of Dolby Laboratories.

ドルビーラボラトリーズからの実施権により製造されています。「ドルビー」、「PRO LOGIC」およびダブルD記号は、ドルビーラボラトリーズの商標です。



“DTS”, and “Neo:6” are trademarks of Digital Theater Systems, Inc.

DTS、DTSデジタルサラウンドおよびNeo:6はデジタルシアターシステムの登録商標です。



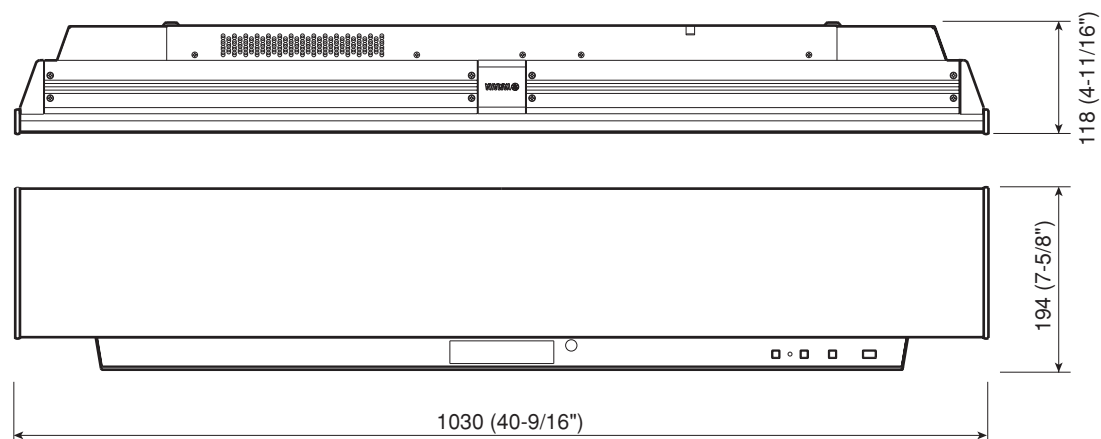
AACロゴマークはドルビーラボラトリーズの商標です。



Manufactured under license from 1 Ltd. world-wide patents applied for.
 The “1” logo and “Digital Sound Projector” are trademarks of 1 Ltd.

本デジタル・サウンド・プロジェクターは、全世界へ特許申請中の英国1Ltdからライセンス許諾を得た製品です。
 “1”ロゴと、“デジタル・サウンド・プロジェクター”は1Ltdの商標です。

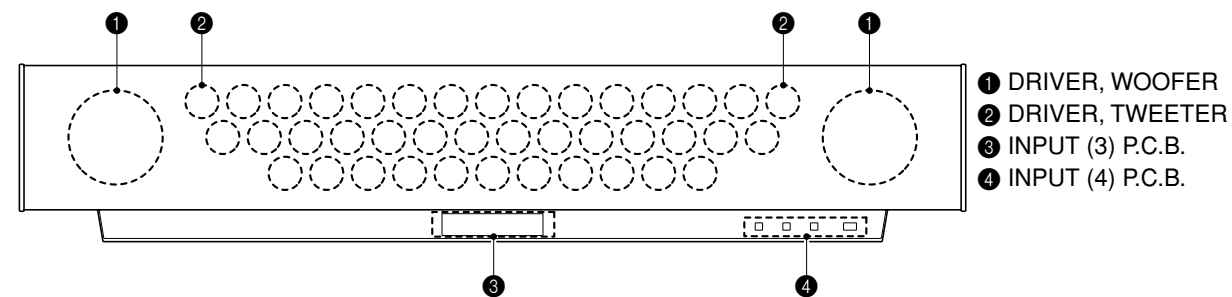
• DIMENSIONS / 寸法図



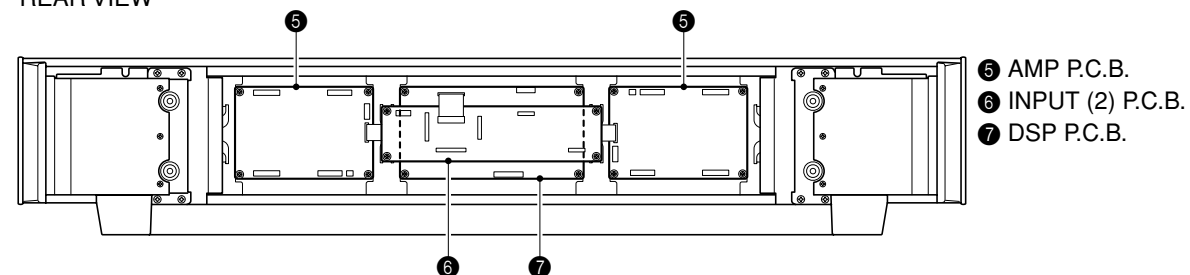
Unit : mm (inch)
 単位 : mm (インチ)

■ INTERNAL VIEW

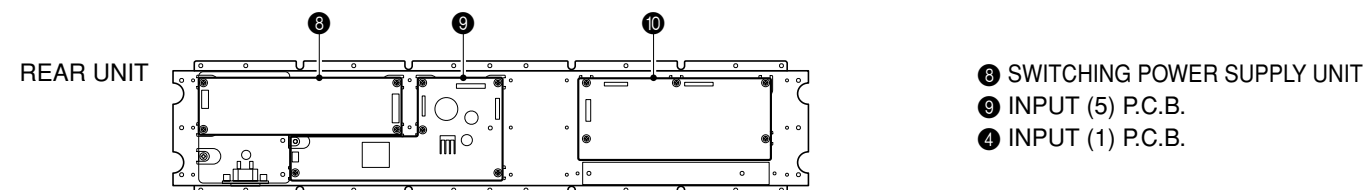
FRONT VIEW



REAR VIEW



REAR UNIT



■ SET MENU TABLE / セットメニュー

CATEGORY	MAIN MENU	SUB MENU	SELECT MENU	VALUE [INITIAL]	
MEMORY	LOAD	USER1, USER2, USER3			
	ROOM TYPE ?	SQUARE, REC-TANGLE			
EASY SETUP	SP POSITION ?	SQUARE: LEFT, CENTER, RIGHT, CORNER RECTANGLE : WIDE/LEFT, CENTER, RIGHT CORNER/LEFT, RIGHT NARROW/LEFT, CENTER, RIGHT	Dialogue		
	ROOM SIZE ? SETUP OK ?	SMALL, MID, LARGE NO, YES			
MANUAL SETUP	1 SOUND MENU	A) SUBWOOFER SET	BASS OUT	SWFR, FRONT	
			CROSS OVER	80, [100], 120 (Hz)	
			LFE LEVEL	-20 ~ [0] (dB)	
			DISTANCE	0.3 ~ 24.0 [3.0] m, 0.1 step 1.0 ~ 80.0 [7.0] ft, 0.5 step	
			FR *Test tone output	
		B) SPEAKER LEVEL	C *Test tone output	
			SL *Test tone output	
			SR *Test tone output	
		C) DYNAMIC RANGE	SWFR *Test tone output	
			MAX	MIN, STD, [MAX]	
		D) AUDIO SET	MUTE LEVEL	[MUTE], ~20dB	
			AUDIO DELAY	[0] ~ 160mS, 1 step	
		E) TONE CONTROL	DUAL MONO	MAIN, SUB, ALL	
			TREBLE-12.0 ~ 0 ~ +12.0 dB, 0.5 step	
			BASS-12.0 ~ 0 ~ +12.0 dB, 0.5 step	
		A) PARAMETER	SP POSITION	[WALL], CORNER	
			SP HEIGHT	0.0 ~ 3.0m (0.1 step) 0.0 ~ 10.0ft (0.5 step)	*1
ROOM WIDTH (C : LEFT WALL)	2.0 ~ 12.0m (0.1 step)		*2		
ROOM LENGTH (C : RIGHT WALL)	6.5 ~ 40.0ft (0.5 step)		*3		
USER POSITION	2.0 ~ 9.0m (0.1 step) 6.5 ~ 30.0ft (0.5 step)		*4		
TO L WALL	0.6 ~ 11.4m (0.1 step) 2.0 ~ 38.0ft (0.5 step)		*5		
a) HORIZ. ANGLE	H.ANGLE FL		-90 ~ +90deg, 1 step		
	H.ANGLE FR		-90 ~ +90deg, 1 step		
	H.ANGLE C		-90 ~ +90deg, 1 step		
	H.ANGLE SL		-90 ~ +90deg, 1 step		
	H.ANGLE SR	-90 ~ +90deg, 1 step			
	V.ANGLE FL	-90 ~ +90deg, 1 step			
b) VERTICAL ANGLE	V.ANGLE FR	-90 ~ +90deg, 1 step			
	V.ANGLE C	-90 ~ +90deg, 1 step	*6		
	V.ANGLE SL	-90 ~ +90deg, 1 step			
	V.ANGLE SR	-90 ~ +90deg, 1 step			
	DIST FL	0.3 ~ 24.0m, 0.1 step/1.0 ~ 80.0ft, 0.5 step			
	DIST FR	0.3 ~ 24.0m, 0.1 step/1.0 ~ 80.0ft, 0.5 step			
c) DISTANCE	DIST C	0.3 ~ 24.0m, 0.1 step/1.0 ~ 80.0ft, 0.5 step			
	DIST SL	0.3 ~ 24.0m, 0.1 step/1.0 ~ 80.0ft, 0.5 step			
	DIST SR	0.3 ~ 24.0m, 0.1 step/1.0 ~ 80.0ft, 0.5 step			
d) FOCAL LENGTH	F.L. FL	-1.0 ~ +13.0m, 0.1 step/-3.5 ~ +43.5ft, 0.5 step			
	F.L. FR	-1.0 ~ +13.0m, 0.1 step/-3.5 ~ +43.5ft, 0.5 step			
	F.L. C	-1.0 ~ +13.0m, 0.1 step/-3.5 ~ +43.5ft, 0.5 step			
	F.L. SL	-1.0 ~ +13.0m, 0.1 step/-3.5 ~ +43.5ft, 0.5 step			
	F.L. SR	-1.0 ~ +13.0m, 0.1 step/-3.5 ~ +43.5ft, 0.5 step			
	[STANDARD], LIVE, DEAD				
C) ROOM EQ	STANDARD	[OFF], ON			
	TREBLE FL	L C 0 ~ 95[%] (5% step) *Test tone output			
	BASS FL	C R 0 ~ 95[%] (5% step) *Test tone output			
	TREBLE FR-12.0 ~ [0] ~ +12.0 dB, 0.5 step			
	BASS FR-12.0 ~ [0] ~ +12.0 dB, 0.5 step			
	TREBLE C-12.0 ~ [0] ~ +12.0 dB, 0.5 step			
	BASS C-12.0 ~ [0] ~ +12.0 dB, 0.5 step			
	TREBLE SL-12.0 ~ [0] ~ +12.0 dB, 0.5 step			
	BASS SL-12.0 ~ [0] ~ +12.0 dB, 0.5 step			
	TREBLE SR-12.0 ~ [0] ~ +12.0 dB, 0.5 step			
B) BEAM ADJ	BASS SR-12.0 ~ [0] ~ +12.0 dB, 0.5 step			
	OFF	[OFF], ON			
	LEFT	L C 0 ~ 95[%] (5% step) *Test tone output			
	RIGHT	C R 0 ~ 95[%] (5% step) *Test tone output			
E) IMAGE LOCATION	SAVE	USER1, USER2, USER3			
	LOAD				
	OPTICAL IN (1)	[TV], VCR			
	COAXIAL IN (3)	[DVD], [AUX]	*7		
3 INPUT MENU	AUTO, LAST	[DVD], [AUX]	*7		
	STANDARD DIMMER	TV, DVD, AUX, VCR			
	AUTO DIMMER	-2, -1, [OFF]			
4 OPTION MENU	OSD SHIFT	DISPLAY OFF, -3, -2, -1, [OFF]	*8		
	OSD BACK COLOR	-5 ~ [0] ~ +5, 1 Step	*9		
	METERS, FEET	BLUE, GRAY			

*1... Distance between this unit and floor. / 本機と床との距離

*2... Distance in the lateral direction of the room (length of the wall on the left side of the user) / 部屋の横方向の距離 (ユーザーの左側壁の距離)

*3... Distance in the longitudinal direction of the room (length of the wall on the right side of the user) / 部屋の縦方向の距離 (ユーザーの右側壁の距離)

*4... Distance from this unit to the user / 本機からユーザーまでの距離

*5... Distance from the left wall to the user (not applicable when set in a room corner) / 左壁からユーザーまでの距離 (コーナー時は無し)

*6... Test tone output for **ANGLE, FORCUS . . . only (Band pass ON) / **ANGLE, FORCUS . . . のみテストトーン出力(バンドパス入)

*7... Priority given to COAXIAL when set to the same input. / 同じ入力に設定した場合は、COAXIAL優先

*8... OFF = Brightness of STANDARD DIMMER / OFF = STANDARD DIMMERの明るさ

*9... + direction is downward. / +方向は下

■ DISASSEMBLY PROCEDURES / 分解手順

(Remove parts in the order as numbered.)

Cautions for disassembly and reassembly :

- Disconnect the power cable from the AC outlet.
- Spread soft cloth or the like and perform the work on it.
- Use full care as you may be injured by the front grille or other part.
- All screws must be tightened securely to prevent air leakage. Check the number of screws and their positions when installing them.
- When installing parts, be careful not to have anything such as cables caught between other parts.
- Make sure that all the removed driver (tweeter) parts are reinstalled at specified positions.

(番号順に部品を取り外してください。)

分解・組立時の注意：

- AC電源コンセントから、電源コードを抜いてください。
- やわらかい布等を敷いて その上で作業を行ってください。
- フロントグリル等で怪我をする恐れがあります。十分注意してください。
- ネジを閉め忘れると、エア漏れをすることがあります。ネジの個数及び位置を確認し、取り付けてください。
- 取り付けの際、ケーブル等を部品の隙間に挟み込むことがあります。十分注意してください。
- 取り外したスピーカーユニット(ツイーター)はすべて決められた位置に取り付けてください。

1. Removal of Top Panels and Plate/Top

- Remove 8 screws (①). (Fig. 1)
- Remove 2 Top Panels.
- Remove 2 screws (②). (Fig. 1)
- Remove the Plate/Top.

1. トップパネル、プレート/トップの外し方

- ①のネジ8本を外します。(Fig. 1)
- トップパネル2個を取り外します。
- ②のネジ2本を外します。(Fig. 1)
- プレート/トップを取り外します。

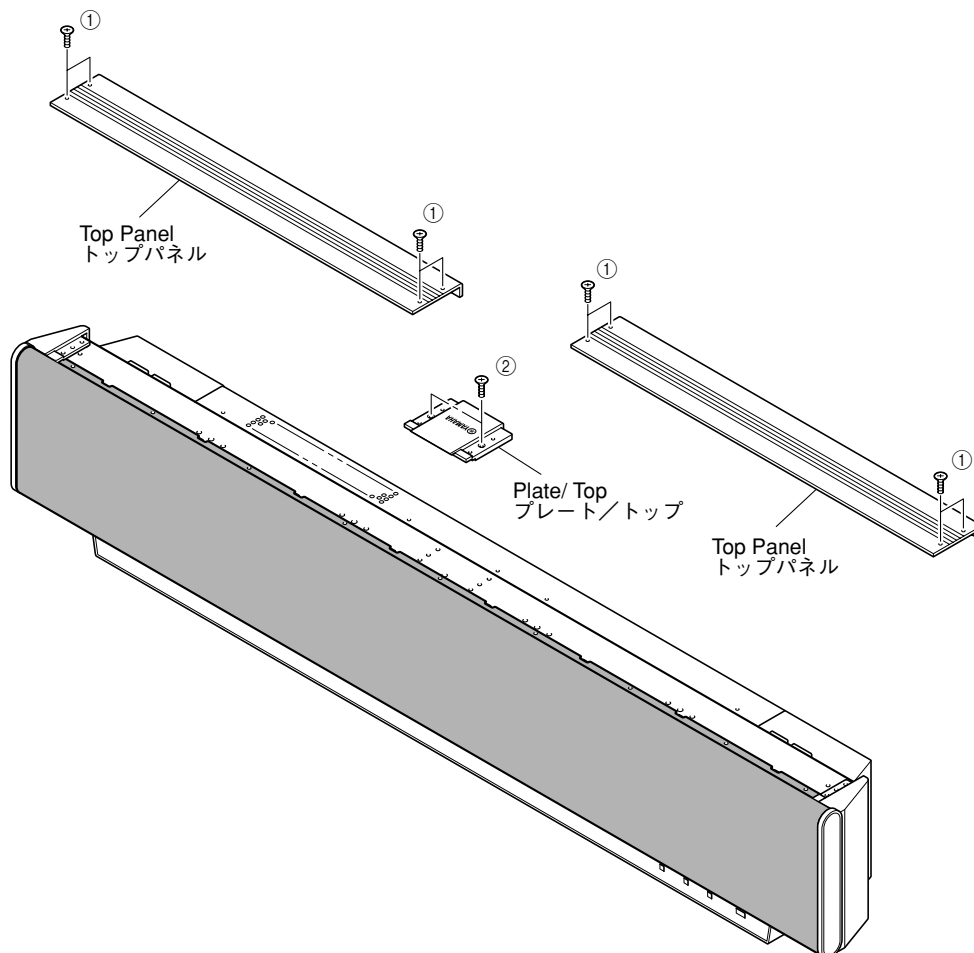


Fig. 1

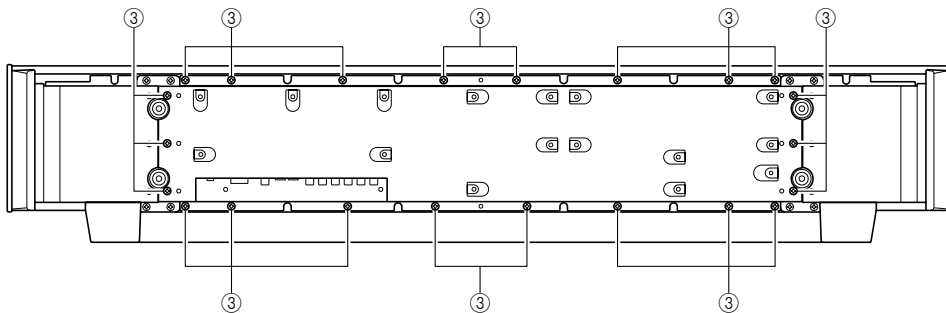


Fig. 2

2. Removal of Rear Unit

- Remove 22 screws (③). (Fig. 2)
- Remove CB7, CB10 and CB14. (Fig. 3)
- Remove the Rear Unit.

2. リアユニットの外し方

- ③のネジ 22本を外します。(Fig. 2)
- コネクタ CB7、CB10、CB14を外します。(Fig. 3)
- リアユニットを取り外します。

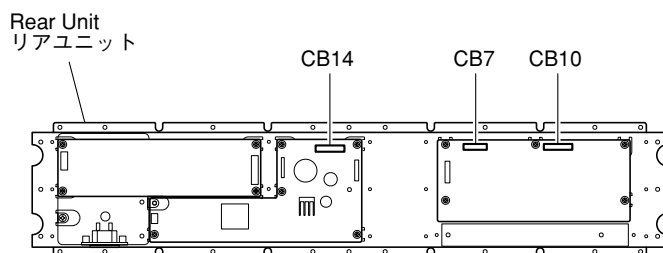


Fig. 3

When checking the P.C.B. :

- The Rear Unit removed from the unit does not work because its grounding is loose. Be sure to connect the ground of the Rear Unit to the chassis or GND with a lead wire or the like. (Fig. A)
- Reconnect all cables (connectors) that have been disconnected.

Be sure to use the extension cable for servicing for the following section.

DSP P.C.B. CB300 — INPUT (2) P.C.B. CB9 :
MFA27160 (27P 160mm)

DSP P.C.B. CB1, CB2 — AMP P.C.B. CB3 :
MFA18160 (18P 160mm)

- When connecting the cable, use care for the polarity.

P.C.B.チェックをする場合には

- 取り外したリアユニットはアースが浮いて動作しませんので、リード線等でシャーシ、またはGNDに接続してください。(Fig. A)
- 外したケーブル(コネクタ)をすべて接続します。ただし次の区間は、サービス用延長ケーブルを使用してください。

DSP P.C.B. CB300 — INPUT (2) P.C.B. CB9 :
MFA27160 (27P 160mm)

DSP P.C.B. CB1, CB2 — AMP P.C.B. CB3 :
MFA18160 (18P 160mm)

- ケーブルを接続する際、極性に注意してください。

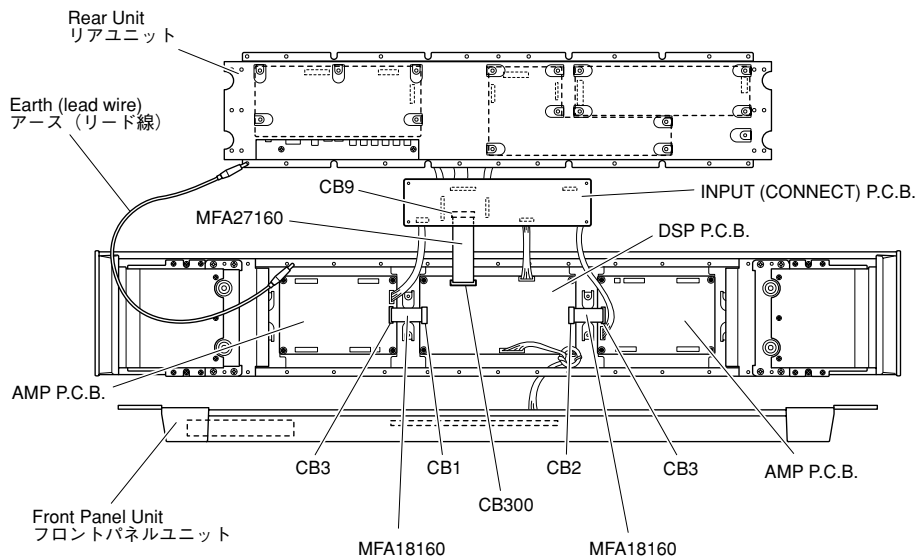


Fig. A

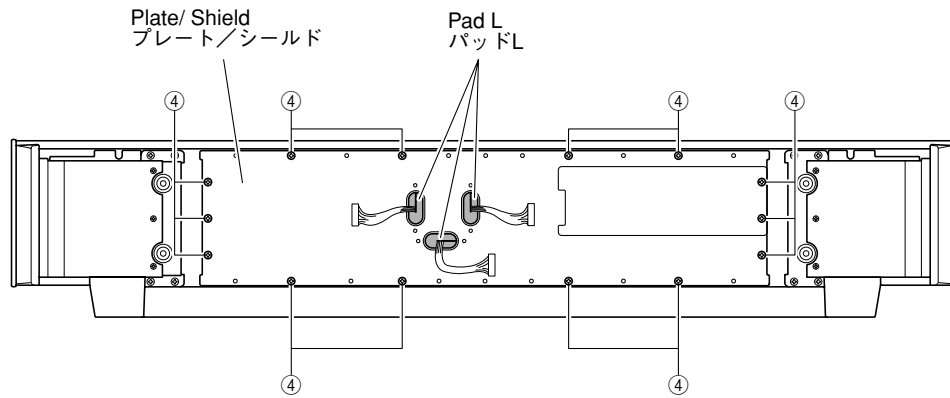


Fig. 4

3. Removal of INPUT (2) P.C.B.

- Remove 14 screws (④). (Fig. 4)
- Remove 3 pad L's. (Fig. 4)
- Remove the Plate/Shield.
- Remove 4 screws (⑤). (Fig. 5)
- Remove CB7, CB9 and CB302. (Fig. 5)
- Remove the INPUT (2) P.C.B..

3. INPUT(2)P.C.B.の外し方

- ④のネジ 14本を外します。(Fig. 4)
- パッドL 3個を外します。(Fig. 4)
- プレート/シールドを取り外します。
- ⑤のネジ 4本を外します。(Fig. 5)
- コネクタ CB7、CB9、CB302を外します。(Fig. 5)
- INPUT(2)P.C.B.を取り外します。

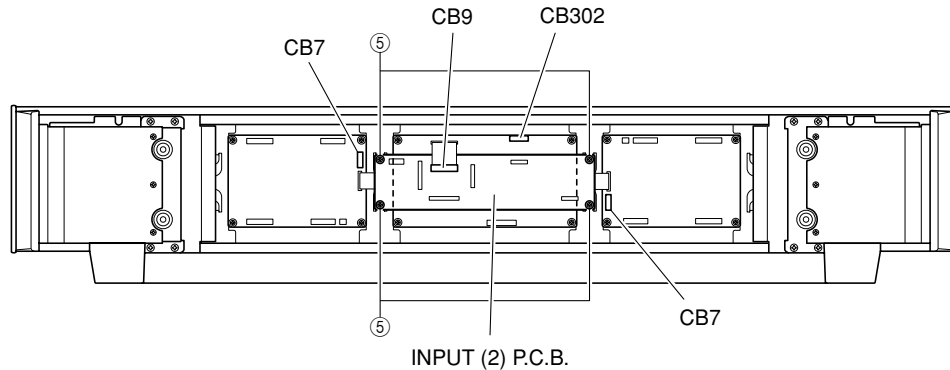


Fig. 5

4. Removal of DSP P.C.B., AMP P.C.B.

- Remove 4 screws (⑥). (Fig. 6)
- Remove CB3 and CB303. (Fig. 6)
- Remove DSP P.C.B..
- Remove 8 screws (⑦). (Fig. 6)
- Remove CB1, CB2, CB4, CB5 and CB6. (Fig. 6)
- Remove AMP P.C.B.s.

4. DSP P.C.B.、AMP P.C.B.の外し方

- ⑥のネジ 4本を外します。(Fig. 6)
- コネクタ CB3、CB303を外します。(Fig. 6)
- DSP P.C.B.を取り外します。
- ⑦のネジ 8本を外します。(Fig. 6)
- コネクタ CB1、CB2、CB4、CB5、CB6を外します。(Fig. 6)
- AMP P.C.B.を取り外します。

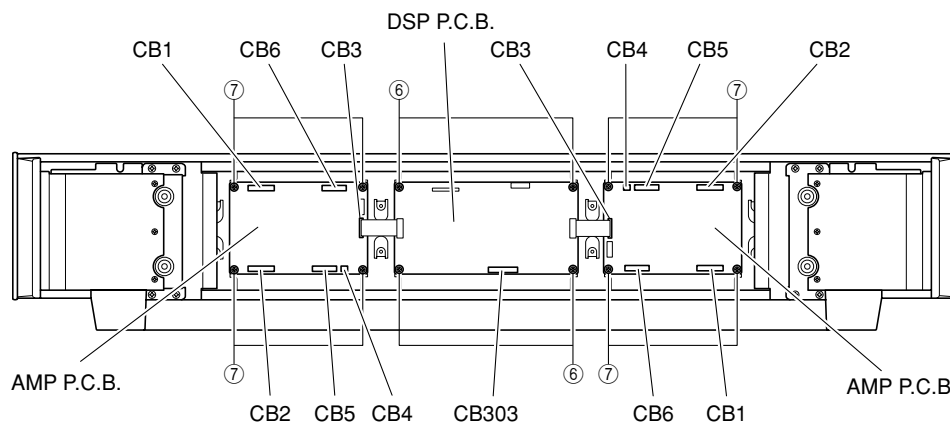


Fig. 6

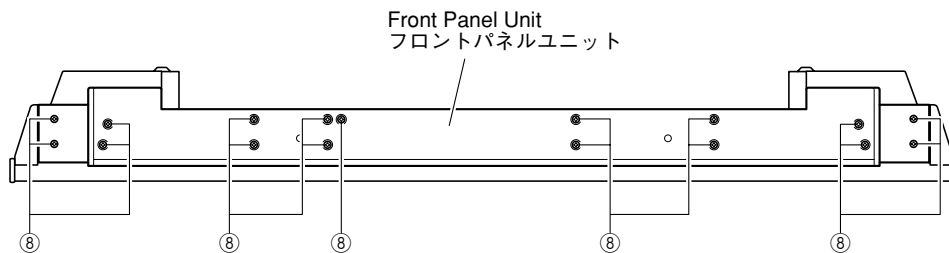


Fig. 7

5. Removal of Front Panel Unit

- Remove 17 screws (⑧). (Fig. 7)
- Remove the Front Panel Unit.
- Remove 2 screws (⑨). (Fig. 8)
- Remove the Stopper frame.

5. フロントパネルユニットの外し方

- ⑧のネジ17本を外します。(Fig. 7)
- フロントパネルユニットを取り外します。
- ⑨のネジ2本を外します。(Fig. 8)
- ストッパーフレームを取り外します。

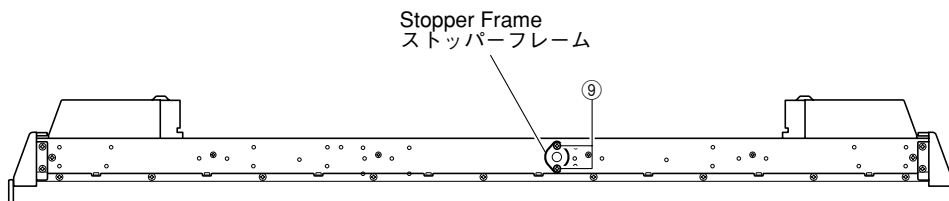


Fig. 8

6. Removal of Driver (Tweeter)

- Remove 12 screws (⑩). (Fig. 9)
- Remove 4 Supports/DSP.
- Remove the Sound absorbing material.
- Remove 2 screws/piece marked (⑪). (Fig. 11)
- Remove the Driver (Tweeter).

6. スピーカーユニット(ツイーター)の外し方

- ⑩のネジ12本を外します。(Fig. 9)
- サポート/DSP 4個を取り外します。
- 吸音材を取り外します。
- ⑪のネジ2本/個を外します。(Fig. 11)
- スピーカーユニット(ツイーター)を取り外します。

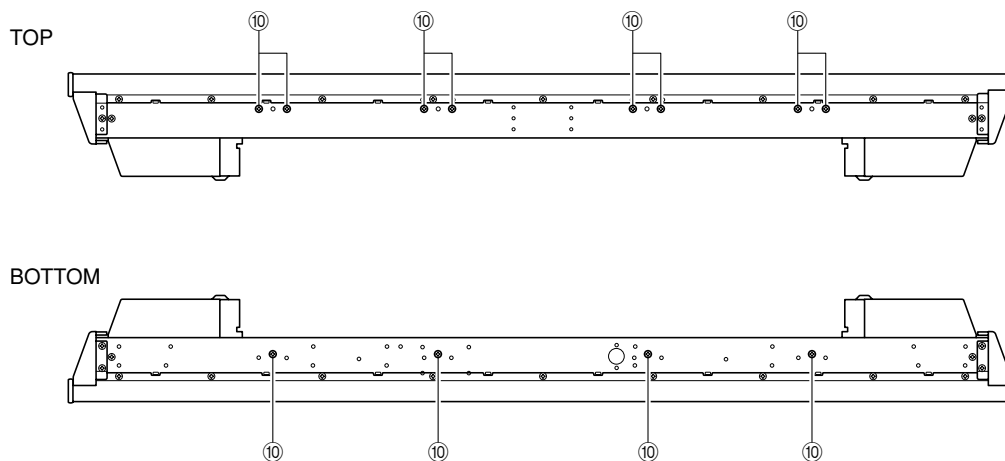


Fig. 9

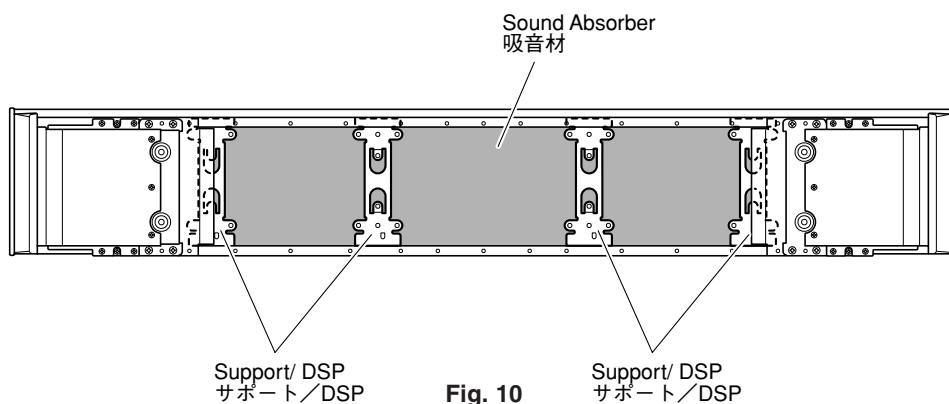


Fig. 10

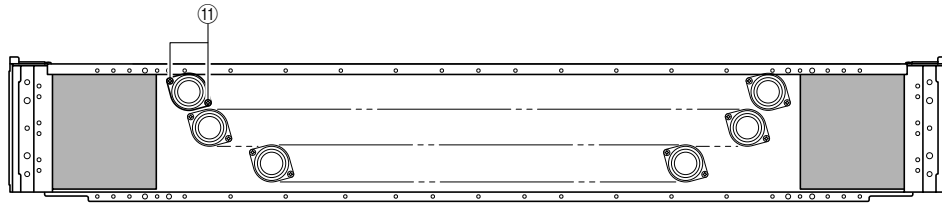


Fig. 11

Installation of Driver (Tweeter)

Caution : Make sure that all the removed Driver (tweeter) parts are reinstalled at specified positions. (Fig. B)

スピーカーユニット(ツイーター)の取り付け方

注意 : 取り外したスピーカーユニット(ツイーター)はすべて決められた位置に取り付けてください。(Fig. B)

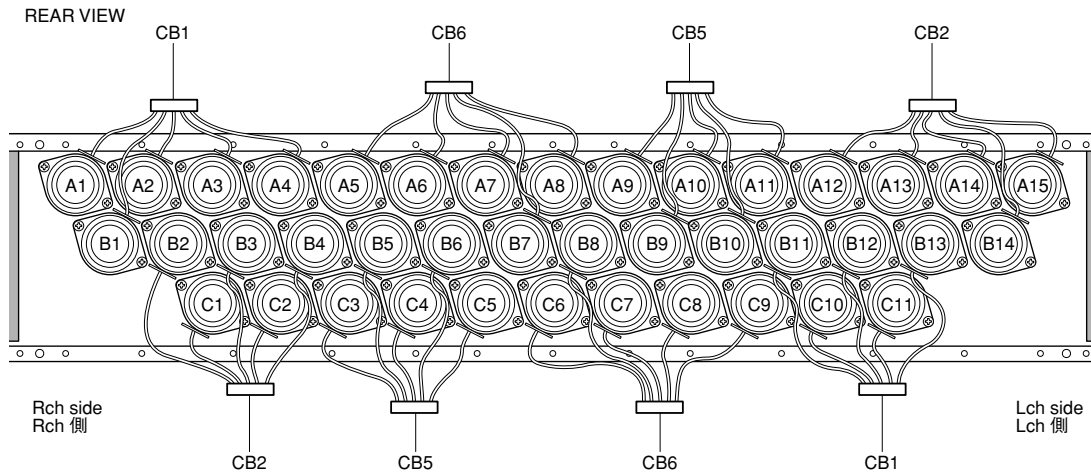


Fig. B

Pin No. / ピンNo.	Rch side / Rch側				Lch side / Lch側			
	CB1	CB2	CB5	CB6	CB1	CB2	CB5	CB6
1 - 2	A1	B4	C5	A5	B13	A12	A9	C9
3 - 4	B1	C2	B6	A6	C11	A13	B9	C8
5 - 6	A2	B3	C4	A7	B12	A14	A10	C7
7 - 8	A3	C1	B5	B7	C10	B14	B10	B8
9 - #	A4	B2	C3	A8	B11	A15	A11	C6

#: CB1, CB2_10pin CB5, CB6_11pin

7. Removal of Driver (Woofer)

- a. Remove 4 screws (12). (Fig. 12)
- b. Remove the Side covers L/R.
- c. Remove the Plate/Cover.
- d. Remove 4 screws (13). (Fig. 12)
- e. Remove the Plate/Side.
- f. Remove 18 screws (14). (Fig. 12)
- g. Remove the Front grille.
- h. Remove 8 screws (15). (Fig. 12)
- i. Remove the Driver (Woofer).

7. スピーカーユニット(ウーファー)の外し方

- a. ⑫のネジ4本を外します。(Fig. 12)
- b. サイドカバーL/Rを取り外します。
- c. プレート/カバーを取り外します。
- d. ⑬のネジ4本を外します。(Fig. 12)
- e. プレート/サイドを取り外します。
- f. ⑭のネジ18本を外します。(Fig. 12)
- g. フロントグリルを取り外します。
- h. ⑮のネジ8本を外します。(Fig. 12)
- i. スピーカーユニット(ウーファー)を取り外します。

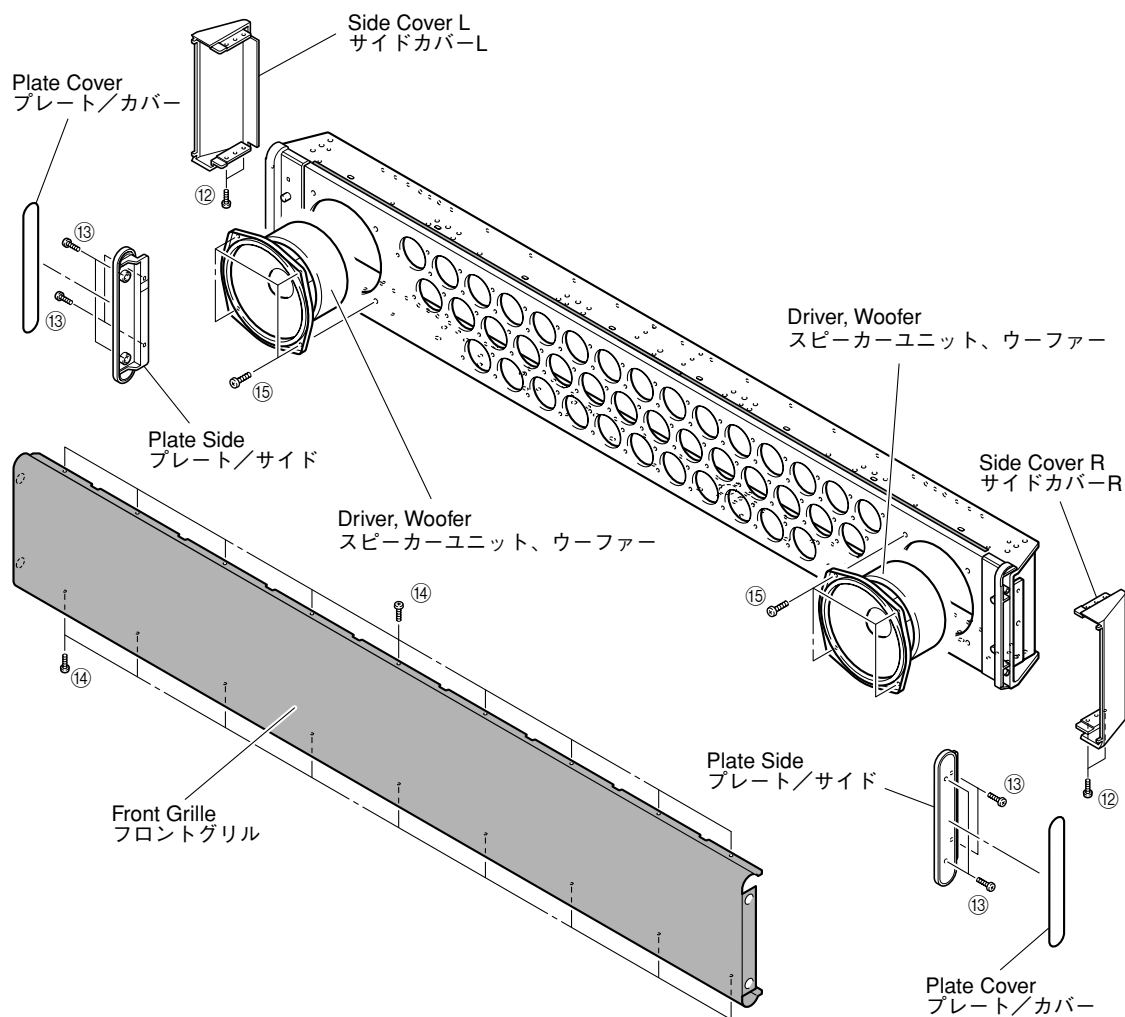


Fig. 12

■ UPDATING FIRMWARE / ファームウェアの書き込み

After replacing the following parts with the replacement parts, update the firmware.

P.C.B. ASS'Y DSP : WE218400
 IC304 of P.C.B. ASS'Y DSP : X3601A00
 IC2 of P.C.B. ASS'Y DSP : X6210B00

● Required tools

- DOS/V machine, OS: Windows 98/2000/Me/XP, PC with a serial port (RS232C)

- Program upgrading program
 There are 2 program upgrading programs.

for CPU : FlashSta.exe
 for DSP : spDownloader_2_0_7_xxx.exe.

- Firmware

* Be sure to put following 5 firmwares in the same folder.

CPU YSP1verxxx.mot
 YSP1verxxx.id
 DSP DSP APPLICATION SPCM_D2-0_xxx.hex
 SPID MPxxxxx.bin
 CSC SPCM_CSC_xxx.hex

- RS232C cross cable "D-sub 9 pin female"
 (Specifications)

Pin No.2 RxD	—————	Pin No.2 RxD
Pin No.3 TxD	—————	Pin No.3 TxD
Pin No.5 GND	—————	Pin No.5 GND
Pin No.7 RTS	—————	Pin No.7 RTS
Pin No.8 CTS	—————	Pin No.8 CTS

● Preparation and precautions before starting the operation

- Download FlashSta.exe and spDownloader_2_0_7_xxx.exe from the specified source to the PC being used.
- Prepare the above specified RS232C cross cable.
- While writing, keep the other application software on the PC closed. It is also recommended to keep the software on the task tray closed as well.

下記の部品をサービス部品に交換した場合、ファームウェアの書き込みを行ってください。

P.C.B. DSP : WE218400
 P.C.B. DSPのIC304 : X3601A00
 P.C.B. DSPのIC2 : X6210B00

● 必要なツール

- DOS/V機、OS：Windows 98/2000/Me/XP、シリアルポート付き(RS232C)PC

- プログラムアップグレードプログラム
 プログラムアップグレードプログラムは2種類あります。

CPU用 : FlashSta.exe
 DSP用 : spDownloader_2_0_7_xxx.exe

- ファームウェア

※ 以下の5つのファームウェアは必ず同一フォルダ内へ入れてください。

CPU YSP1verxxx.mot
 YSP1verxxx.id
 DSP DSP APPLICATION SPCM_D2-0_xxx.hex
 SPID MPxxxxx.bin
 CSC SPCM_CSC_xxx.hex

- RS232Cクロスケーブル“D-sub 9pin メス”
 (仕様)

Pin No.2 RxD	—————	Pin No.2 RxD
Pin No.3 TxD	—————	Pin No.3 TxD
Pin No.5 GND	—————	Pin No.5 GND
Pin No.7 RTS	—————	Pin No.7 RTS
Pin No.8 CTS	—————	Pin No.8 CTS

● 操作前の準備と注意

- PCへ指定のダウンロード先からFlashSta.exeとspDownloader_2_0_7_xxx.exeをダウンロードしてください。
- RS232Cクロスケーブルは必ず上記仕様のもので用意してください。
- 書き込み時は、PC上の他のアプリケーションソフトは閉じてください。
 さらに、タスクトレイ上にあるソフトも閉じておくことを推奨します。

● Operation Procedure

For CPU

1. Install FlashSta.exe into the PC.
2. Before turning on the power to YSP-1 and PC, connect between RS232C ports with the RS232C cable (cross cable). (Fig. 1)

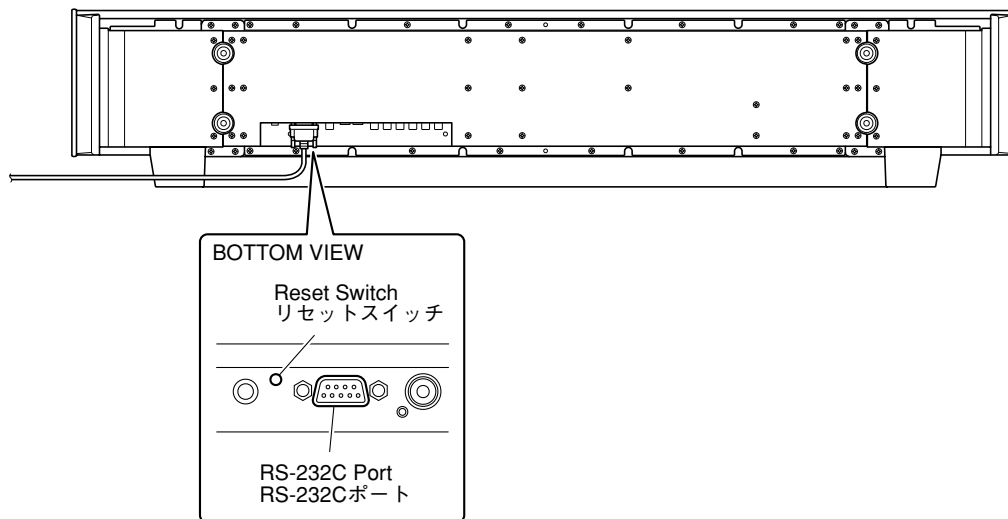


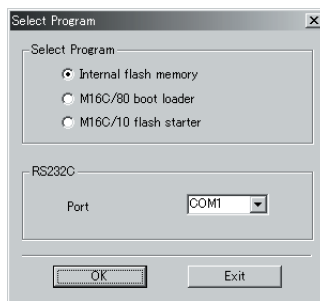
Fig. 1

● 操作方法

CPUの場合

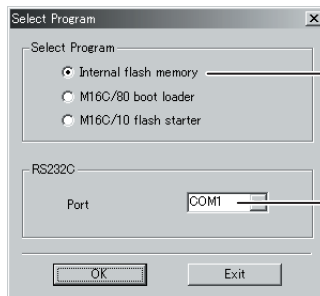
1. PCにFlashSta.exeをインストールします。
2. YSP-1とPCの電源を入れる前に、それぞれのRS232Cポート間をRS232Cケーブル(クロスケーブル)で接続します。(Fig. 1)

3. While pressing the reset switch of YSP-1, connect the power cable to the AC outlet. (Fig. 1)
 - * Use a fine tipped pin or the like to push the reset switch.
4. Start up FlashSta.exe, the screen will appear as shown below.



5. Select the data to be transmitted and port.

- **Select Program**
Select Internal flash memory
- **RS232C**
Select the port of RS-232C



- * For selection of the port, COM1 to 4 can be used. As COM5 or higher port cannot be used, select out of COM 1 to 4 of the setting on the PC side.

3. YSP-1のリセットスイッチを押しながら、電源コードをACコンセントに接続します。(Fig. 1)
 - ※ リセットスイッチは、先の細いピンなどで押してください。
4. PCのFlashSta.exeを立ち上げます。すると下記の画面が表示されます。

5. 送信データ、ポートを選択します。

- **Select Program**
Internal flash memoryを選択します。
- **RS232C**
接続しているRS-232Cポートを選択します。

Select Internal flash memory
Internal flash memoryを選択します

Select the port of RS-232C
接続しているRS-232Cポートを選択します

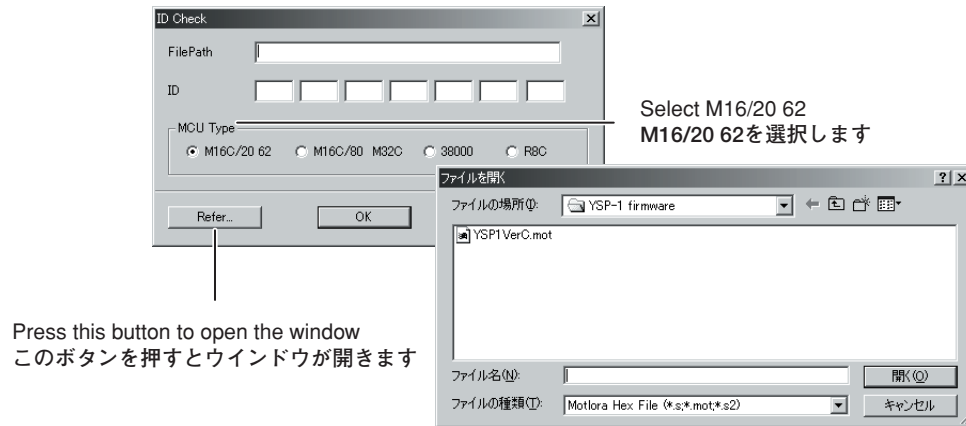
- ※ ポートの選択はCOM1～4までが使用できます。COM5以上は使用できませんので、PC側の設定でCOM1～4を選択してください。

6. Press the [Refer...] button. And select the firmware name.

* The ID code is loaded when the file is selected.

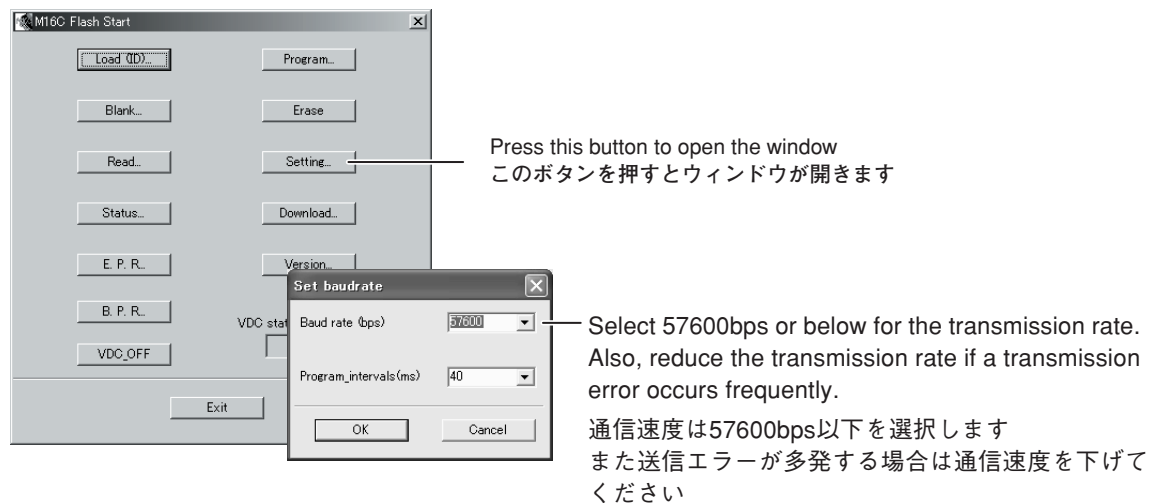
6. [Refer...]ボタンを押し、書き込むファームウェアを選択します。

※ID項目は書き込みファイル選択時、自動的に取り込まれます。



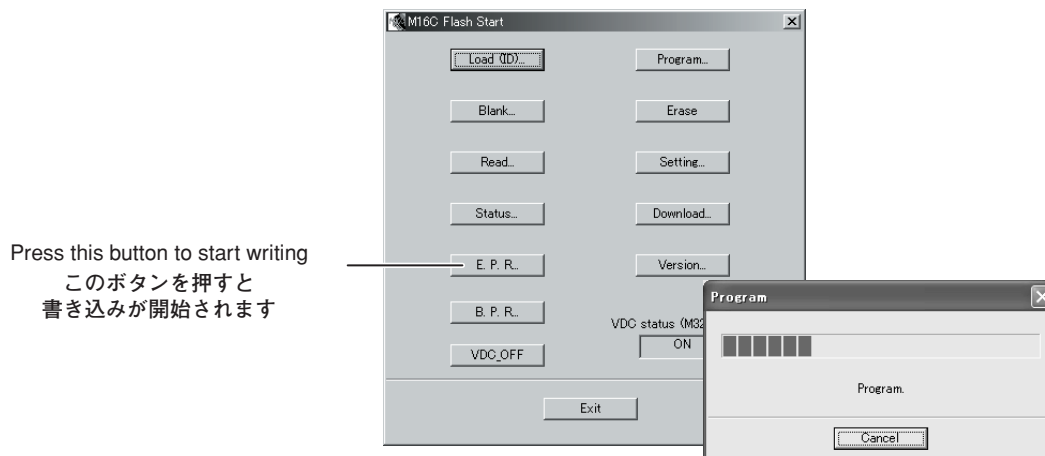
7. Press the [Setting] button and set the transmission rate.

7. [Setting]ボタンを押し、通信速度の設定を行います。



8. Press the [E.P.R.] button and start writing.

8. [E.P.R]ボタンを押し、書き込みを開始します。



YSP-1

9. When the program transmission is completed, the screen appears as shown below.
The press the [OK] button to end the procedure.

9. プログラムの送信が終了すると、以下の画面が表示され、[OK]ボタンを押して完了します。



For DSP

1. Install spDownloader_2_0_7_xxx.exe into the PC.
2. Before turning on the power to YSP-1 and PC, connect between RS232C ports with the RS232C cable (cross cable). (Fig. 1)
3. Connect the power cable of YSP-1 to the AC outlet. While pressing the “VOL+” key and “VOL-” key of the YSP-1, press the “STANDBY/ON” key of the remote controller to activate the DIAG function.

- ① Using the “UP” or “DOWN” key of the remote controller, select the DIAG menu in the figure below.

```
OneSpTest[---]
```

- ② Using the “LEFT” or “RIGHT” key of the remote controller, select the DIAG sub-menu in the figure below.

```
1Lim 232C[OFF]
```

- ③ Using the “SELECT” key of the remote controller, make a change as shown below.

```
1Lim 232C[ON ]
```

Change OFF to ON
OFF → ONに変更します

- ④ For restarting, use the “STANDBY/ON” key of the YSP-1 or the remote controller.

DSPの場合

1. PCにspDownloader_2_0_7_xxx.exeをインストールします。
2. YSP-1とPCの電源を入れる前に、それぞれのRS232Cポート間をRS232Cケーブル(クロスケーブル)で接続します。(Fig. 1)
3. YSP-1の電源コードをACコンセントに接続し、YSP-1の“VOL+”キーと“VOL-”キーを押しながら、リモコンの“STANDBY/ON”キーを押し、ダイアグを起動します。

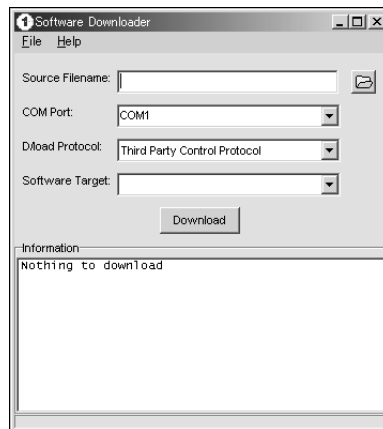
- ① リモコンの“UP”キーまたは“DOWN”キーを使い、下図のダイアグメニューを選択します。

- ② リモコンの“LEFT”キーまたは“RIGHT”キーを使い、下図のダイアグメニューを選択します。

- ③ リモコンの“SELECT”キーを使い、下図のように変更します。

- ④ YSP-1またはリモコンの“STANDBY/ON”キーで再起動します。

4. Start up spDownloader_2_0_7_xxx.exe, the screen will appear as shown below.



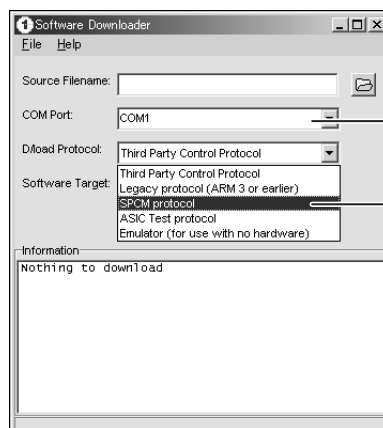
4. PCのspDownloader_2_0_7_xxx.exeを立ち上げます。すると下記の画面が表示されます。

5. Select the data to be transmitted and port.

- **COM Port**
Select the port of RS-232C.
- **D/load Protocol**
Select "SPCM Protocol"

5. 送信データ、ポートを選択します。

- **COM Port**
接続しているRS-232Cポートを選択します。
- **D/load Protocol**
SPCMプロトコルを選択します。



Select the port of RS-232C
接続しているRS-232Cポートを選択します

Select SPCM Protocol
SPCMプロトコルを選択します

6. Select Firmware and execute writing as follows.

First, select DSP APPLICATION and perform steps ① to ④ for writing.

Then, select SPID and perform steps ① to ④ for writing.

Finally, select CSC and perform steps ① to ④ for writing.

- ① Press the button beside the Source firmware Box.
And select the firmware.

6. ファームウェアを選択し、書き込みを行います。

最初にDSP APPLICATIONを選択し、①～④の操作で書き込みます。

次にSPIDを選択し、①～④の操作で書き込みます。

最後にCSCを選択し、①～④の操作で書き込みます。

- ① フォルダボタンを押し、書き込むファームウェアを選択します。



Press this button to open the window
このボタンを押すとウィンドウが開きます

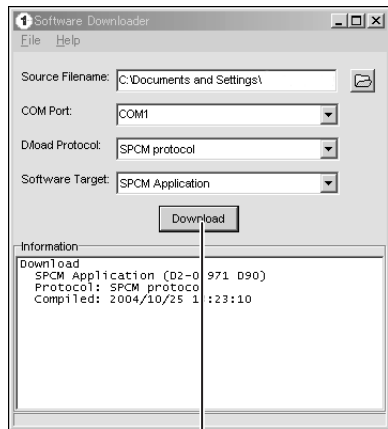
② Confirm Software Target and press the [Download] button.

② Software Target項目を確認後、[Download] ボタンを押します。

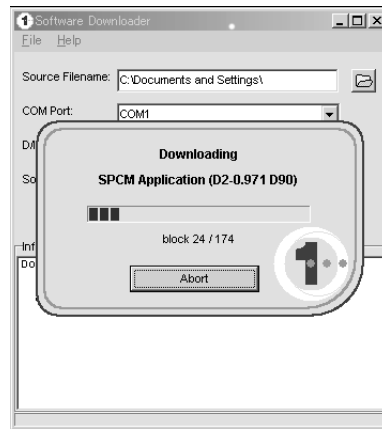
Firm	Software Target
DSP application	SPCM Application
SPID	SPCM init Data
CSC	SPCM CSC

- * When Source filename is selected, Software Target box is selected automatically.
- * If Software Target is different, confirm again Source filename or re-open spDownloader.

- ※ Software Target項目は書き込みファイル選択時、自動的に選択されます。
- ※ Software Target項目が違う場合は、書き込みファイル名の確認、またはspDownloaderの再起動をして下さい。



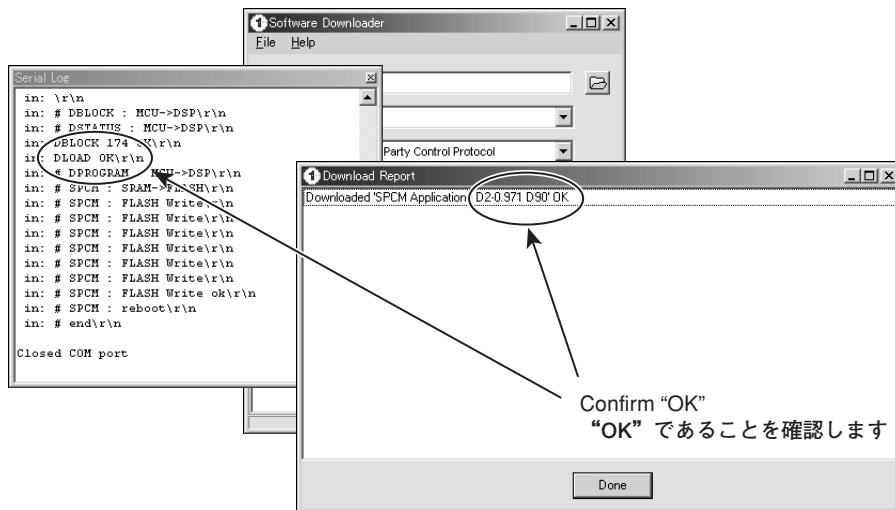
Start Download
このボタンを押すと書き込みが開始されます



During downloading
書き込み中

③ After downloading successfully, "Download ***** OK" is appeared.
Confirm "DLOAD OK" on the Serial Log window.

③ 書き込み完了後、“Download ***** OK”が表示されます。
Serial Logウィンドウの“DLOAD OK”を確認します。



Confirm "OK"
"OK"であることを確認します

④ Press the [Done] button.
The display returns to screen (①).

④ [Done]ボタンを押します。
①の画面に戻ります。

7. Press the "STANDBY/ON" key of the YSP-1 to turn off the power.
8. While pressing the "VOL+" key and "VOL-" key of the YSP-1, press the "STANDBY/ON" key of the remote controller to activate the DIAG function.

7. YSP-1の"STANDBY/ON"キーを押し、電源をOFFします。

8. YSP-1の"VOL+"キーと"VOL-"キーを押しながら、リモコンの"STANDBY/ON"キーを押し、ダイアグを起動します。

- ① Using the "UP" or "DOWN" key of the remote controller, select the DIAG menu in the figure below.

- ① リモコンの"UP"キーまたは"DOWN"キーを使い、下図のダイアグメニューを選択します。

```
OneSpTest[---]
```

- ② Using the "LEFT" or "RIGHT" key of the remote controller, select the DIAG sub-menu in the figure below.

- ② リモコンの"LEFT"キーまたは"RIGHT"キーを使い、下図のダイアグメニューを選択します。

```
1Lin 232C[ON ]
```

- ③ Using the "SELECT" key of the remote controller, make a change as shown below.

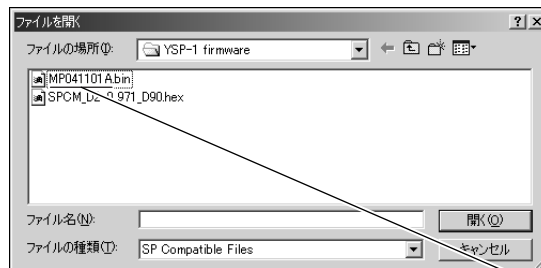
- ③ リモコンの"SELECT"キーを使い、下図のように変更します。

```
1Lin 232C[OFF]
```

Change ON to OFF.
ON → OFFに変更します。

- ④ Check the version of the firmware.
The procedure has been completed when "DSP VER./MID" appears as the DIAG menu and the same version as shown below is obtained.

- ④ ファームウェアのバージョンを確認します。
ダイアグメニュー-DSP VER./MIDを表示し、以下のように同様のバージョンになれば完了です。



```
MID:MP041101A
```

SPID version
SPIDのバージョン

9. Press the "STANDBY/ON" key of the YSP-1 to turn off the power.

9. YSP-1の"STANDBY/ON"キーを押し、電源をOFFします。

■ SELF DIAGNOSIS FUNCTION (DIAG) / 自己診断機能 (ダイヤグ)

There are 14 DIAG menu items, each of which has sub-menu items. Listed in the table below are menu items and sub-menu items.

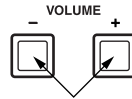
ダイヤグメニューは14個あり、そのそれぞれにサブメニューがあります。下表はメニュー一覧です。

No.	DIAG MENU	SUB MENU
1	DSP THROUGH (YSS948-YSS930) 1. DSP THR ALL	1. ALL 2. FRONT L 3. CENTER 4. FRONT R 5. SURROUND R 6. SURROUND L 7. LFE
2	PRO LOGIC / NEO:6 2. PRO LOGIC I	1. PRO LOGIC I 2. PRO LOGIC II 3. NEO: 6
3	VFD CHECK 3. VFD CHECK	1. VFD CHECK (Initial display / 初期表示) 2. VFD DISP OFF (All segments OFF / 全セグメント消灯) 3. VFD DISP ALL (All segments ON 100% / 全セグメント点灯100%) 4. VFD DIMMER (All segments ON 50% / 全セグメント点灯50%) 5. CHECKED PATTERN (ON in lattice / 格子状点灯)
4	MANUAL TEST 4. TEST ALL	1. TEST ALL 2. TEST FRONT L 3. TEST CENTER 4. TEST FRONT R 5. TEST SURROUND R 6. TEST SURROUND L 7. TEST LFE
5	RS-232C 5. TxRxData:XX	1. TxD/RxD DATA 2. HARD FLOW
6	FACTORY PRESET 6. PRESET INHI	1. PRESET INHIBIT (memory initialization inhibited / メモリーの初期化禁止) 2. PRESET RESERVED (memory initialized / メモリーの初期化)
7	AD DATA CHECK PS:069%[2.27U]	1. PS (protection) 2. K0 / K1 (panel key)
8	VC STATUS L:00000011	1. LOW BYTE DATA (Not applied to this model. / このモデルには適用されません) 2. HIGH BYTE DATA (Not applied to this model. / このモデルには適用されません)
9	IF STATUS IS1:1200020000	1. IS 1 (5 Byte) (Not applied to this model. / このモデルには適用されません) 2. IS 2 (4 Byte) (Not applied to this model. / このモデルには適用されません) 3. CS 1 (5 Byte) 4. CS 2 (5 Byte) 5. CS 3 (5 Byte) 6. CS 4 (5 Byte) 7. CS 5 (4 Byte) 8. BS 1 (5 Byte) 9. BS 2 (5 Byte) 10. BS 3 (5 Byte) 11. BS 4 (5 Byte) 12. BS 5 (5 Byte) 13. BS 6 (5 Byte) 14. BS 7 (2 Byte) 15. TI 1 (5 Byte) (Not applied to this model. / このモデルには適用されません) 16. TI 2 (1 Byte) (Not applied to this model. / このモデルには適用されません) 17. MTT (5 Byte)
10	MODEL 10. MODEL: DSPSP	1. MODEL SETTING 2. TUNER DESTINATION 3. VIDEO FORMAT
11	ROM VERSION / SUM / PORT VER. A0404A	1. VERSION (DSP ALL) 2. SUM (ALL BOOT) 3. PORT 4. AAC PORT
12	DATE 04.10.15a/MAIN	1. MAIN 2. SUB 3. PROTECT 4. REMOTE CONTROL CODE
13	1 SP TEST OneSPTest[---]	1. ONE SP TEST 2. 1 SP TEST 3. TI CHECK 4. 1 LIM (232C BOOT)
14	DSP VER DSP:D2-0.971 D	1. DSP 2. CSC 3. MID 4. HYD 5. SPX 6. ASC 7. VR1 8. VR2

● Starting DIAG

To activate the DIAG function, press the “STANDBY/ON” key of the remote controller while pressing the keys of the main unit as shown below at the same time.

Keys of main unit / 本体キー



Turn on the power while pressing these keys.
これらのキーを同時に押しながら、パワーオンする。

● Starting DIAG in the protection cancel mode

If the protection function works and causes hindrance to trouble diagnosis, cancel the protection function as described below, and it will be possible to enter the DIAG mode.

Press the “STANDBY/ON” key while simultaneously pressing those two keys indicated in the figure above. At this time, keep pressing those two keys for 3 seconds or longer.

In this mode, the “SLEEP” segment of the FL display of the main unit flashes to indicate that the mode is DIAG mode with the protection functions disabled.

CAUTION!

Using this product with the protection function disabled may cause damage to itself. Use special care for this point when using this mode.

● Canceling DIAG

[1] Before canceling DIAG, execute setting for PRESET of DIAG menu No.6 (Memory initialization inhibited or Memory initialized).

* In order to keep the user memory stored, be sure to select PRESET INHIBIT (Memory initialization inhibited). Any protection history will remain in memory.

[2] Turn off the power by pressing the “STANDBY/ON” key of the main unit or the “STANDBY” key of the remote controller.

● ダイアグの起動

本体の下図に示すキーを同時に押しながらリモコンの“STANDBY/ON”キーを押すと、ダイアグが起動します。

● プロテクション解除モードでの起動

プロテクションが動作することにより、故障箇所の診断に支障をきたすような場合は、次の方法によりプロテクションを解除した状態でダイアグモードに入ることができません。

上図のキーを同時に押しながら“STANDBY/ON”キーを押します。このとき、上図のキーを3秒以上押し続けてください。

このモードでは本体FLの“SLEEP”セグメントが点滅し、プロテクションを解除した状態でのダイアグモードであることを知らせます。

注意！

プロテクションを解除した状態でのダイアグモードは、危険な状態でもプロテクションが作動しないため、動作させると、機器を破壊することがあります。このモードを使用する場合は十分注意してください。

● ダイアグの解除

① ダイアグを解除する前に、ダイアグメニューNo.6のFACTORY PRESET (メモリーの初期化禁止/またはメモリーの初期化)の設定をします。

※ ユーザーメモリーを保持したい場合は、必ずPRESET INHIBIT (メモリー初期化禁止)を選択してください。

② 本体の“STANDBY/ON”キーかリモコンの“STANDBY”キーを押し、パワーオフにします。

● Display provided when DIAG started

When the monitor is connected, DIAGNOSTIC MENU appears on its screen as shown in the figure. (It remains on display until DIAG is cancelled.)

DIAGNOSTIC MENU	
1. DSP THR	8. VC STATUS
2. PRO LOGIC	9. IF STATUS
3. VFD CHECK	10. MODEL
4. MAN'L TEST	11. VER/SUM/P
5. RS232C	12. DATE
6. PRESET	13. 1SP TEST
7. AD CHECK	14. DSP VER.

● ダイアグ起動時の表示

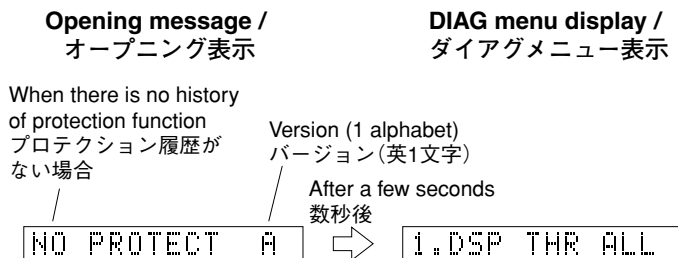
モニターを接続してある場合は、モニターの画面に図のようにダイアグメニューの一覧が表示されます。(ダイアグを解除するまで、この表示が保持されます)

The FL display of the main unit displays the protection function history data and the version (1 alphabet) and the DIAG menu [sub-menu (THR ALL) of DIAG menu No.1 DSP THROUGH] a few seconds later.

本体のFLディスプレイにプロテクション履歴情報とバージョン(英1文字)が表示され、数秒後にダイアグメニュー(No.1 DSP THROUGHのサブメニュー-THR ALL)になります。

When there is no history of protection function:

プロテクション履歴がない場合:



Opening message /
オープニング表示

DIAG menu display /
ダイアグメニュー表示

When there is no history of protection function
プロテクション履歴がない場合

Version (1 alphabet)
バージョン(英1文字)

After a few seconds
数秒後

When there is a history of protection function:

プロテクション履歴がある場合:

When there is a history of protection function due to abnormal voltage in the power supply section
電源部の電圧異常によるプロテクション履歴がある場合

Version (1 alphabet)
バージョン(英1文字)

PS PRT:000 A

Voltage display in %
電圧の%表示

Cause: The voltage in the power supply section is abnormal.

原因：電源部の電圧が異常。

Supplementary information: The abnormal voltage is displayed in % based on 3.3V as 100%.

補足：異常時の電圧の状態を、3.3Vを100%とした値で%表示します。

Turning on the power without correcting the abnormality will cause the protection function to work 1 second later and the power supply will be shut off.

異常状態のままパワーオンすると、1秒後にプロテクションがかかり、電源が切れます。

● History of protection function

When the protection function has worked, its history is stored in memory with a backup. Even if no abnormality is noted while servicing the unit, an abnormality which has occurred previously can be defined as long as the backup data has been stored.

The history of the protection function is cleared when DIAG is cancelled by selecting PRESET RESERVED (Memory initialized) of DIAG menu No. 6 or when the backup data is erased.

*To clear the protection history only, use the SUB menu No.3 "PROTECT His (PrHist ← RESET) of DIAG menu No.12".

● プロテクションの履歴

プロテクションが働いた場合、履歴をバックアップして記憶しています。サービスのときに異常が認められなくても、バックアップが残っていれば、お客様のところで起きた異常を区別できます。

プロテクションの履歴は、ダイアグメニューNo.6で PRESET RESERVED(メモリーの初期化)を選んでダイアグを解除した場合や、バックアップが消えたときにはクリアされます。

※ プロテクション履歴のみクリアーしたい場合は、ダイアグメニューNo.12のサブメニューNo.3“PROTECT Hist(PrtHist←RESET)”でクリアできます。

● Display during menu operation

During the DIAG operation, the menu list described in the section of the startup screen appears on the superimposed screen and the function at work is indicated on the FL indicator. The contents displayed during the function operation are described in the later section on details of functions.

● メニュー動作中の表示

ダイアグ中、モニター画面には起動画面の項で説明したメニュー一覧が表示されます。本体のFLディスプレイには動作中の機能が表示されます。機能動作中の表示内容については、後述の機能詳細で記述します。

● Operation procedure of DIAG menu and SUB-MENU

There are 14 MENU items, each of which has some SUB-MENU items.

DIAG menu selection

Select the DIAG menu by using the UP/DOWN △ (Reverse) ▽ (Forward) key of the remote controller.

SUB-MENU selection

Select the DIAG sub-menu by using the LEFT/RIGHT ◀ (Reverse) ▶ (Forward) keys.

● ダイアグメニューとサブメニューの操作

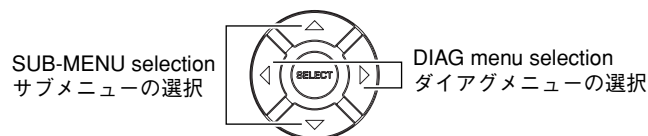
ダイアグにはNo.1～14のメニューがあり、そのそれぞれにサブメニューがあります。

ダイアグメニューの選択

リモコンのUP/DOWN △(逆送り)、▽(順送り)キーで選択します。

サブメニューの選択

リモコンのLEFT/RIGHT ◀(逆送り)、▶(順送り)キーで選択します。



SUB-MENU selection
サブメニューの選択

DIAG menu selection
ダイアグメニューの選択

● Functions in DIAG mode

In addition to the DIAG menu items, functions as listed below are available.

- Input selection
- Muting
- Night
- Power on/off
- Master volume

* Functions related to the set menu are not available.

● Initial settings used to start DIAG

The following initial settings are used when starting DIAG. When DIAG is canceled, these settings are restored to those before starting DIAG.

- Master volume: -40dB
- Input: TV
- Effect level: 0dB
- Audio mute: OFF
- DIAG menu: DSP THR ALL

● ダイアグ中の機能

ダイアグメニューの他に、以下の機能が動作します。

- インプット切り換え
- ミューティング
- ナイト
- パワーオン/オフ
- マスターボリューム

※ セットメニュー関連は機能しません。

● ダイアグ開始時の初期設定

ダイアグ開始時に以下のような設定になります。ダイアグ解除時にはダイアグ開始前の状態に戻ります。

- マスターボリューム: -40dB
- インプット: TV
- エフェクトレベル: 0dB
- オーディオミュート: オフ
- ダイアグメニュー: DSP THR ALL

● Details of DIAG menu

With full-bit output specified in some modes, it is possible to execute 0dBFS output without head margin in each channel.

1. DSP THROUGH

This function is for YSS930 only. Main DSP of YSS930 is selected for FRONT output.

DSP THR ALL

- All outputs (FRONT L/R, CENTER, SURROUND L/R, LFE) including the head margin are provided.

1. DSP THR ALL

● ダイアグメニュー詳細

一部のモードでフルビット指定することで、各チャンネルのヘッドマージンを廃して0dBFS出力することが可能です。

1. DSP THROUGH

YSS930のみの動作です。FRONT出力にはYSS930のMain DSPが選択されます。

DSP THR ALL

- ヘッドマージンを含んですべて (FRONT L/R、CENTER、SURROUND L/R、LFE) が出力されます。

DSP THR FRONT L

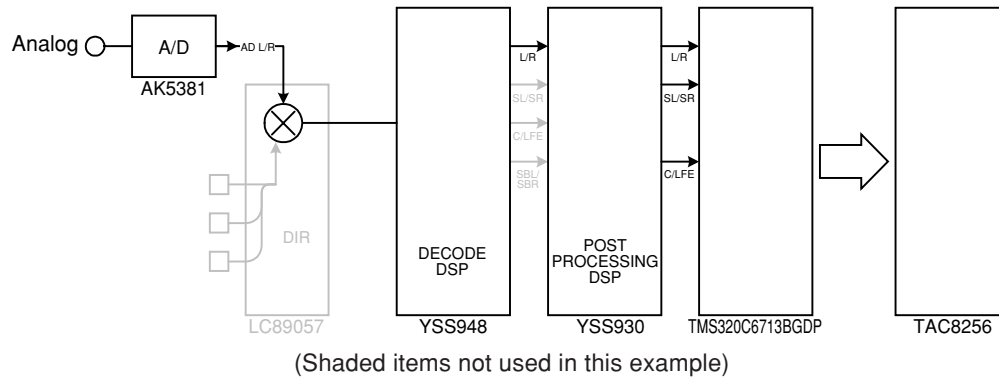
- FRONT L output without the head margin is provided in digital full bit.
- The SWFR signal is output but not in digital full bit.

DSP THR FRONT L

- ヘッドマージンを含まず、デジタルフルビットでFRONT Lが出力されます。
- SWFRは出力されますが、デジタルフルビットではありません。

1. DSP THR FL

YSS948-YSS930
(ANALOG)



Note : The analog signal level can not be confirmed because of the digital signal processing.

注) デジタル信号処理のため、アナログ信号レベルの確認はできません。

YSP-1

DSP THR CENTER

- CENTER output without the head margin is provided in digital full bit.
- The SWFR signal is output but not in digital full bit.

DSP THR CENTER

- ヘッドマージンを含まず、デジタルフルビットでCENTERが出力されます。
- SWFRは出力されますが、デジタルフルビットではありません。

1.DSP THR C

DSP THR FRONT R

- FRONT R output without the head margin is provided in digital full bit.
- The SWFR signal is output but not in digital full bit.

DSP THR FRONT R

- ヘッドマージンを含まず、デジタルフルビットでFRONT Rが出力されます。
- SWFRは出力されますが、デジタルフルビットではありません。

1.DSP THR FR

DSP THR SURROUND R

- SURROUND R output without the head margin is provided in digital full bit.
- The SWFR signal is output but not in digital full bit.

DSP THR SURROUND R

- ヘッドマージンを含まず、デジタルフルビットでSURROUND Rが出力されます。
- SWFRは出力されますが、デジタルフルビットではありません。

1.DSP THR SR

DSP THR SURROUND L

- SURROUND L output without the head margin is provided in digital full bit.
- The SWFR signal is output but not in digital full bit.

DSP THR SURROUND L

- ヘッドマージンを含まず、デジタルフルビットでSURROUND Lが出力されます。
- SWFRは出力されますが、デジタルフルビットではありません。

1.DSP THR SL

DSP THR LFE

- LFE output without the head margin is provided in digital full bit.
- The SWFR signal is output but not in digital full bit.

DSP THR LFE

- ヘッドマージンを含まず、デジタルフルビットでLFEが出力されます。
- SWFRは出力されますが、デジタルフルビットではありません。

1.DSP THR LFE

2. PRO LOGIC / NEO6

PRO LOGIC I, II, Neo:6 can be selected from the SUB menu items.

2. PRO LOGIC / NEO6

サブメニューでPRO LOGIC I、II、Neo:6を選択可能です。

PRO LOGIC I

PRO LOGIC I

2.PRO LOGIC I

PRO LOGIC II

PRO LOGIC II

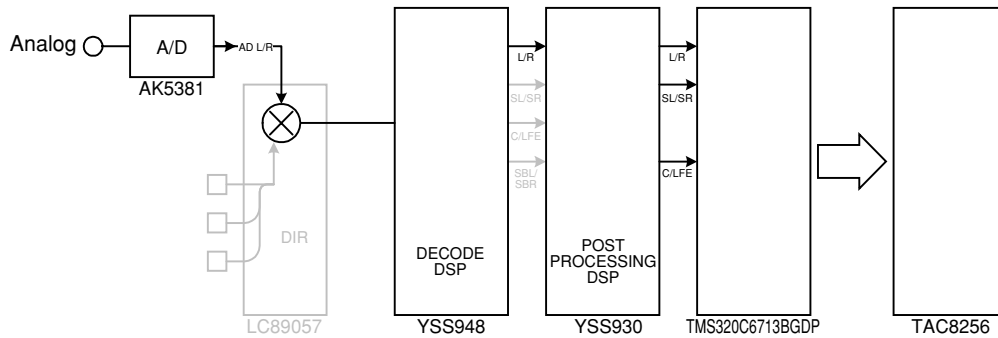
2.PRO LOGIC II

Neo:6

Neo:6

2. Neo:6

PRO LOGIC/NEO:6 (ANALOG)



(Shaded items not used in this example)

Note : The analog signal level can not be confirmed because of the digital signal processing.

注) デジタル信号処理のため、アナログ信号レベルの確認はできません。

3. EFFECT OFF / DISPLAY CHECK

This program is used to check the FL display section. The display condition varies as shown below according to the sub-menu operation. The signals are processed using EFFECT OFF (The L/R signal is output using ANALOG MAIN BYPASS.)

The video signal internal/external synchronization switching is controlled by the microprocessor. When the initial message is displayed and all the FL segments light up, it is switched to the internal synchronization but other than that it is forced to the external synchronization setting.

Also, when all segments are turned on, 128 pictographs for checking the OSD driver are output on the monitor screen.

3. EFFECT OFF / DISPLAY CHECK

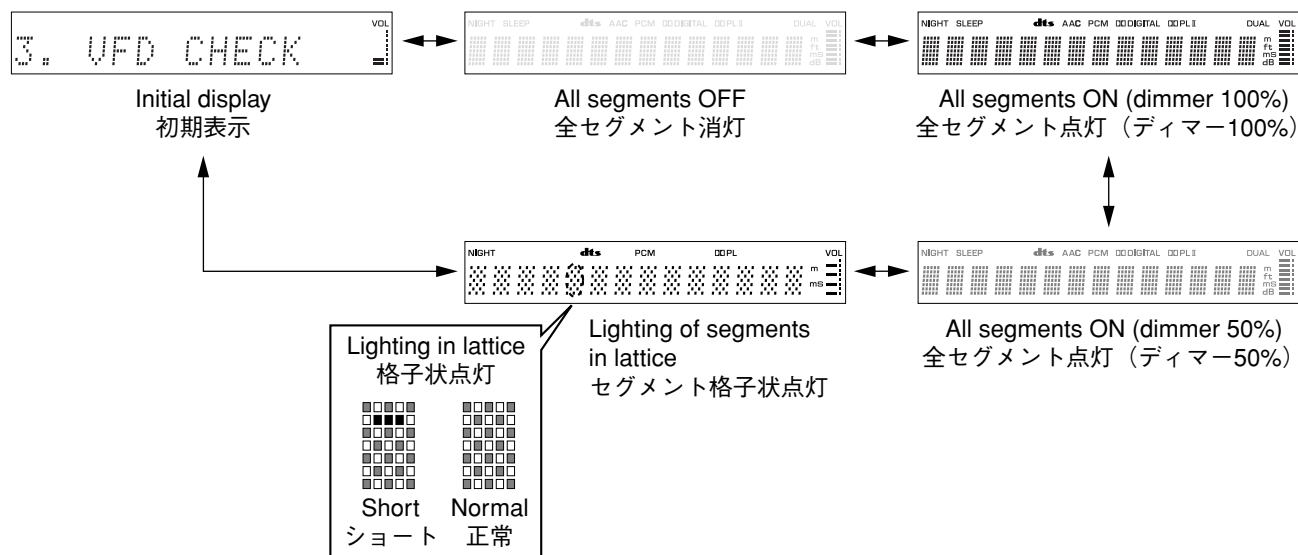
FL表示部のチェックプログラムです。サブメニュー操作により、表示状態が以下のように変わります。

信号処理はEFFECT OFF (ANALOG MAIN BYPASSでL/Rを出力)です。マイコン制御による映像信号の内部/外部同期切替は、初期表示とFL全点灯時に内部同期となり、それ以外は強制外部同期となります。

また全セグメント点灯時、モニター画面にOSDドライバー確認用128絵文字表示が出力されます。

Check of the Fluorescent indication

FL表示部のチェック



Segment conditions of the FL driver and the FL tube are checked by turning ON and OFF all segments. Next, the operation of the FL driver is checked by using the dimmer control. Then a short between segments next to each other is checked by turning ON and OFF all segments alternately (in lattice). (In the above example, the segments in the second row from the top are shorted.)

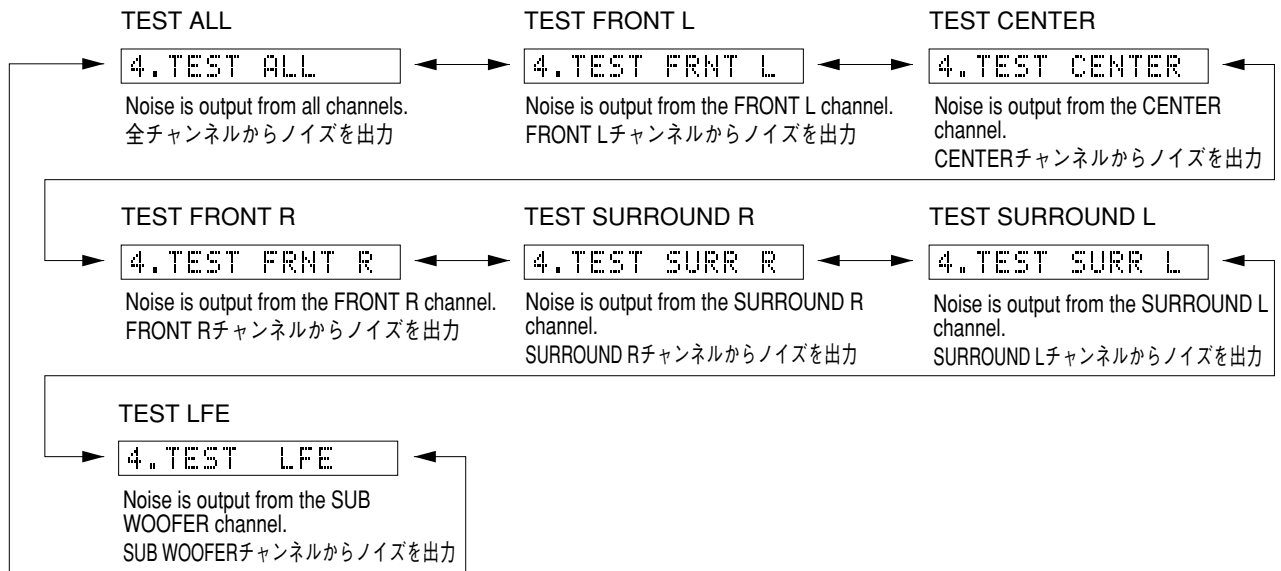
全セグメント消灯・全セグメント点灯によりFLドライバー、FL管のセグメントの不良を確認します。次に、ディマーコントロールによってFLドライバーの動作チェックを行います。さらに全セグメントを交互(格子状)に点灯/消灯することで、隣り合うセグメントのショートをチェックします。

4. MANUAL TEST

The noise generator with a built-in DSP outputs the test noise through the channels specified by the sub-menu. The noise frequency for LFE is 35 to 250 Hz. Other than that, the center frequency is 800Hz.

4. MANUAL TEST

DSP内蔵のノイズ発生回路によって、サブメニューで指定したチャンネルへテストノイズを出力します。LFE用のノイズ周波数は35～250Hz、それ以外は中心周波数800Hzとなります。

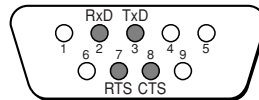


5. RS-232C

This menu is used to check transmission of the data and the flow port of the hardware. With the power turned off, short between pins No.2 (Rx/D) and No.3 (Tx/D), and between pins No.7 (RTS) and No.8 (CTS) of the RS-232C terminal. (Be sure to turn off the power when shorting the pins.) Start DIAG and select the menu. There are two sub-menu items.

5. RS-232C

データ送受信チェック、ハードウェアフローポートチェックを行うメニューです。パワーオフ状態にしてから、RS-232C端子の2ピン(Rx/D)と3ピン(Tx/D)、7ピン(RTS)と8ピン(CTS)をショートさせます。(ショートさせるときは必ず電源を切ってください。)ダイアグを起動してメニューを選択します。サブメニューは2つあります。



TxD/RxD DATA

The sub-menu is used to check transmission of the test data. "OK" appears when the data is transmitted properly and "NG" when it is not. In this mode, NULL command transmission is continued after the test command is transmitted.

TxD/RxD Data

テストの送受信チェックを行います。正常に送受信完了した場合、「OK」と表示します。正常に送受信しなかった場合は「NG」と表示します。このモードでは、テストコマンド送信後、200msごとにNULLコマンド(無効なコマンド)を送信し続けます。

5. TxRxData:XX

HARD FLOW

This sub-menu is used to check operation of the flow port of the hardware. "OK" appears when the check result is satisfactory and "NG" when it is not.

Hard Flow

ハードウェアフローポートの動作チェックを行います。正常にチェック完了した場合、「OK」と表示します。正常にチェック完了しなかった場合は「NG」と表示します。

5. HardFlow:XX

6. FACTORY PRESET

This menu is used to reserve and inhibit initialization of the back-up RAM. The signals are processed using EFFECT OFF. (The L/R signal is output using ANALOG MAIN BYPASS.)

6. FACTORY PRESET

バックアップ用RAM (音場プログラムのパラメーターやセットメニュー内容等)の初期化を予約/禁止します。信号処理はEFFECT OFFと同じです (ANALOG MAIN BYPASSで、L/Rを出力)。

6. PRESET INHI



6. PRESET RSRV

PRESET INHIBIT (Initialization inhibited) / PRESET INHIBIT (初期化禁止)

RAM initialization is not executed. Select this sub-menu to protect the values set by the user.

RAMの初期化は行われません。ユーザーの設定値を保護するときは、こちらを選択してください。

PRESET RESERVED (Initialization reserved) / PRESET RESERVED (初期化予約)

Initialization of the back-up RAM is reserved. (Actually, initialization is executed the next time that the power is turned on.) Select this sub-menu to reset to the original factory settings or to reset the RAM. Any protection history will be cleared.

バックアップRAMの初期化が予約されます。(実際に初期化されるのは、次回の電源投入時です。)工場出荷時やRAMをリセットしたいときは、こちらを選択してください。

7. AD DATA CHECK

This menu is used to display the A/D conversion value of the main CPU which detects panel keys of the main unit and protection functions in % using the sub-menu. During signal processing, the condition before execution is maintained.

* The figures in the diagram are given as reference only.

PS (Power supply voltage protection detection)

PS: Power supply voltage protection value (Normal value: PS: 52 to 86)

* If PS is out of the normal value range, the protection function works to turn off the power.
(Reference voltage: 3.3V=100%)

PS:069%(2.27V)

K0/K1 (Panel key of main unit) [Remote control code: -]

A/D of the key fails to function properly when the standard value is deviated by $\pm 4\%$. In this case, check the constant of partial pressure resistor, solder condition, etc. Refer to table 2.

(Reference voltage: 3.3V=100%)

K0:100 K1:100

[Table 2 / 表2]

Display	K0	K1
0+2	VOLUME +	VOLUME -
10 \pm 2	INPUT	-
100-2	NO KEY	NO KEY

8. VC STATUS

Not applied to this model.

LOW BYTE DATA

Not applied to this model.

L:XXXXXXXX

HIGH BYTE DATA

Not applied to this model.

H:XXXXXXXX

7. AD DATA CHECK

本体パネルキー、プロテクションなどを検出しているメインCPUのA/D変換の値を、サブメニューで%表示します。信号処理は実行前の状態を維持します。

※図中の数値は参考例です。

PS (電源電圧プロテクションの検出)

PS: 電源電圧プロテクションの値(正常値: 52~86)

※ PSは正常値を外れるとプロテクションが働き、電源オフされます。

(基準電圧: 3.3V=100%)

K0/K1 (本体パネルキー)

キーのA/Dは基準値から $\pm 4\%$ を外れると、正常な動きをしません。下表2をご覧になり、各キーの分圧抵抗の定数、ハンダ不良等の確認をしてください。

(基準電圧: 3.3V=100%)

8. VC STATUS

このモデルには適用されません。

LOW BYTE DATA

このモデルには適用されません。

HIGH BYTE DATA

このモデルには適用されません。

YSP-1

9. IF STATUS (Input function status)

Using the sub-menu, the status data is displayed one after another in the hexadecimal notation.

During signal processing, the status before execution of this menu is maintained.

* Numeric values in the figure example are for reference.

IS1-2 (Internal status)

Not applied to this model.

IS1:1200020000 -- IS2:0300FFFF

CS1-5

Indicates channel status information of the input signal (IEC60958).

CS1:FFFFFFFF -- CS5:E41D6736

BS1-7

Indicates information of the bit stream included in the dts signal.

BS1:0000000000 -- BS7:7000

TI1-2

Not applied to this model.

9. IF STATUS

サブメニュー操作により、以下のステータス情報を順次16進数で表示します。信号処理は、本メニュー実行前の状態を維持します。

※図中の数値は参考例です。

IS 1-2 (内部ステータス)

このモデルには適用されません。

CS 1-5

入力信号のIEC60958チャンネルステータス情報を表示します。

BS1-7

dts、Dolby Digital、AAC信号に含まれるビットストリームインフォメーション情報を表示します。

TI1-2

このモデルには適用されません。

MTT

Mute Trigger

MTT

Mute Trigger

MTT:00180018FF

Byte No.	Function
1	Mute condition
2	Factor of the last mute
3	Error count of YSS930-FSCNT
4	Mute count by YSS930-FSCNT
5	N.A.

10. MODEL

The information on the model, destination and video format is displayed.

MODEL SETTING

```
10.MODEL#DSPSP
```

DESTINATION

J, UC, ATLBG or RK is displayed.

```
10.DEST #J
```

VIDEO FORMAT

NTSC (J, UC, R, K models)
PAL (T, A, BG, L models)

```
10.VIDEO#NTSC
```

10. MODEL

モデル、仕向、ビデオフォーマットの情報を表示します。

MODEL SETTING**DESTINATION**

J、UC、ATLBG、RKのいずれかを表示します。

VIDEO FORMAT

NTSC (J、UC、R、K models)
PAL (T、A、BG、L models)

11. MICROPROCESSOR INFORMATION

There are 4 SUB menu items.

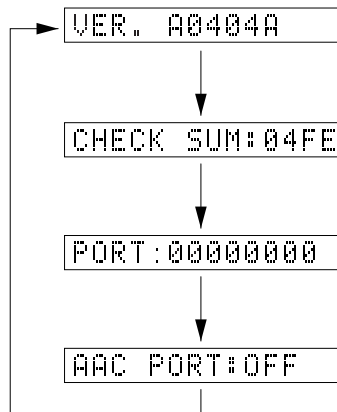
The version, checksum and the port specified by the microprocessor are displayed. The signal is processed using EFFECT OFF. The checksum is obtained by adding the data at every 16 bits for each program area and expressing the result as a 4-figure hexadecimal data.

11. マイコン情報

サブメニューは4つあります。

プログラムのバージョン、チェックサム、マイコンの指定ポートを表示します。

信号はエフェクトOFFです。チェックサムは、プログラムエリア別にデータを16ビットごとに加算していき、4桁の16進データで現したものです。



Version / バージョン情報

Checksum / チェックサム表示

PCB model setup / PCBモデル設定

Display of AAC function detection port state (Always OFF)
AAC機能検出ポート状態表示(常時OFF)

12. DATE

There are 4 SUB menu items.

The updated date of the program, clearance of the protection history and the remote control reception code are displayed.

When Remo Code menu is selected, keys become non-operable due to detection of the values of all keys. However, it is possible to advance to the next sub-menu by push the INPUT key of the remote control.

MAIN

The updated date of the MAIN CPU firmware is displayed.

```
04.10.15a/MAIN
```

SUB

The updated date of the SUB CPU firmware is displayed.

```
04.10.14B/SUB
```

PROTECT HISTORY DELETE

Reserve/Cancel can be selected by using the "SELECT" and "RETURN" keys of the remote controller.

```
Protect Hist
```

REMOTE CONTROL CODE DISPLAY

The reception code of the remote controller can be checked.

```
RemoCode  -
```

12. DATE

サブメニューは4つあります。

プログラムの更新日付、プロテクション履歴のクリア、リモコン受信コードを表示します。

Remo Codeのメニューにすると、リモコンの全キーの値を検出するためキー操作はできなくなりますが、本体のINPUTキーを押すことにより、次のサブメニューに進めることができます。

MAIN

MAIN CPUのファームウェアの更新日を表示します。

SUB

SUB CPUのファームウェアの更新日を表示します。

プロテクション履歴削除の予約/解除

リモコンの"SELECT"キー、"RETURN"キーにより予約/解除が選択できます。

リモコン受信コード表示

リモコン受信コードが確認できます。

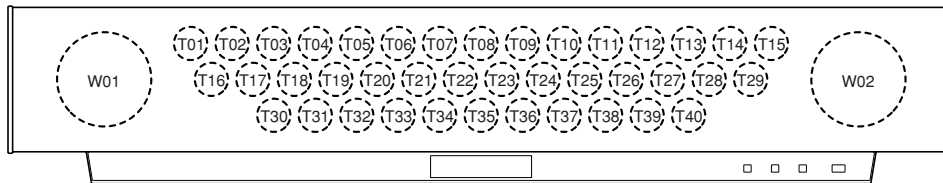
13. 1 SP TEST

ONE SP TEST

Have the sound produced from each driver to check its condition and installation position.

Use the “SELECT” and “RETURN” keys of the remote controller for selection.

```
OneSPTest[----]
```



- T01–T40 TWEETER
- W01–W02 WOOFER
- ALL Sound is output from all drivers
- ---- OFF

13. 1 SP TEST

ONE SP TEST

各スピーカーユニットを鳴らし、不良・取付位置の確認をします。

リモコンの“SELECT”キー、“RETURN”キーを使って選択します。

- T01–T40 TWEETER
- W01–W02 WOOFER
- ALL すべてのスピーカーユニットから出力されます
- ---- OFF

1 SP TEST

Select the sound to be produced in ONE SP TEST.

Use the “SELECT” and “RETURN” keys of the remote controller for switching.

- T.TONE The test tone (noise) is output.
- SOURCE The external input is output.

```
1SPTest:T.TONE
```

1 SP TEST

ONE SP TESTで鳴らす音を選択します。

リモコンの“SELECT”キー、“RETURN”キーにて切り替えます。

- T.TONE テストトーン(ノイズ)を出力します。
- SOURCE 外部入力を入力します。

TI CHECK

Not applied to this model.

TI CHECK

このモデルには適用されません。

```
TI#Not Checked
```

1 LIM 232C

Select OFF/ON of firmware writing.

* Keep OFF selected other than when writing the firmware.

1 LIM 232C

ファームウェアの書き込みのOFF/ONを選択します。

※ ファームウェアの書き込み時以外はOFFにします。

```
1Lim 232C[OFF]
```

YSP-1

14. DSP VER

DSP

The version of Application Code is displayed.

```
DSP:D2-0.971 D
```

CSC

The version of Core Start-Up Code is displayed.

```
CSC:CSC0.27 R
```

MID

The version of SPID is displayed.

* SPID is the abbreviation for the Sound Projector Module Initialization Data Format.

```
MID:MP041101A
```

HYD

The condition of the amplifier IC is displayed.

* HYD is the abbreviation for the HYDRA, the code name of the amp IC TAD108.

```
HYD:Wait
```

SPX

Not applied to this model.

```
SPX:Wait
```

ASC

The version of TAC8256 (DSP P.C.B. IC4) is displayed.

* ASC is the abbreviation for the ASIC, the code name of the IC TAC8256.

```
ASC:8E91
```

VR1

Not applied to this model.

```
VR1:reserved
```

VR2

Not applied to this model.

```
VR2:reserved
```

14. DSP VER

DSP

Application Codeのバージョンを表示します。

CSC

Core Start-Up Codeのバージョンを表示します。

MID

SPIDのバージョンを表示します。

※ SPIDはSound Projector Module Initialization Data Formatを略したものです。

HYD

アンプICの状態を表示します。

※ HYDはアンプIC TAD108のコードネームHYDRAを略したものです。

SPX

このモデルには適用されません。

ASC

TAC8256(DSP P.C.B. IC4)のバージョンを表示します。

※ ASCはTAC8256のコードネームASICを略したものです。

VR1

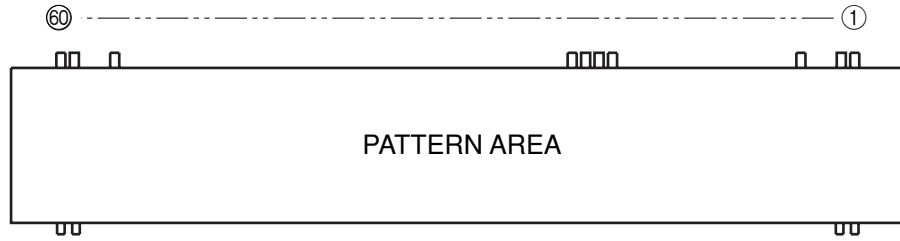
このモデルには適用されません。

VR2

このモデルには適用されません。

■ DISPLAY DATA

● V1 : 15-BT-99GNK (WE204600)

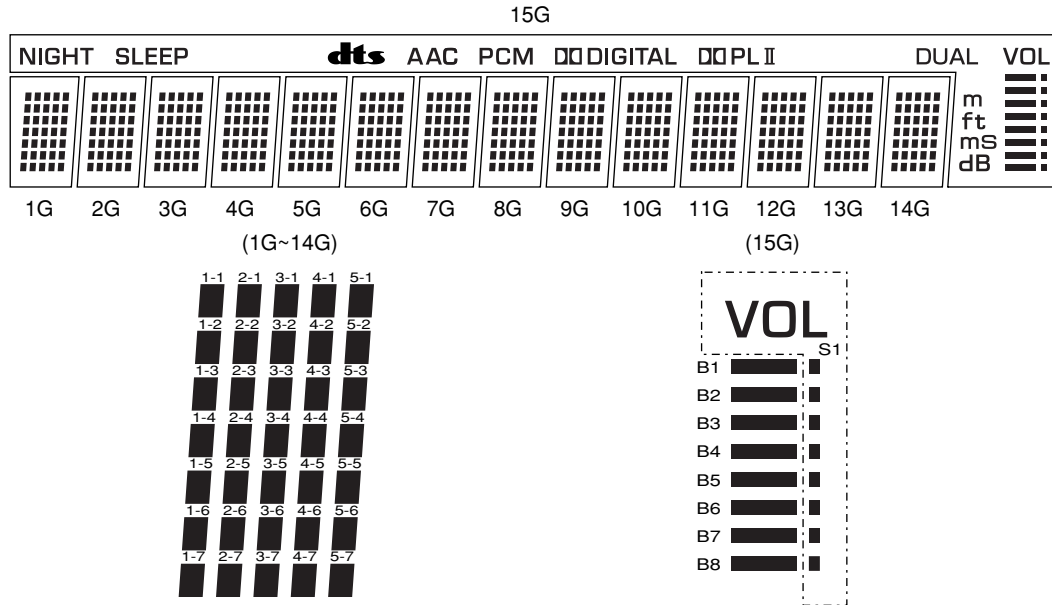


● PIN CONNECTION

Pin No.	60	59	58	57	56	55	54	53	52	51	50	49	48	47	46	45	44	43	42	41	40	39	38	37	36	35	34	33	32	31
Connection	F2	NX	NP	NP	P1	P2	P3	P4	P5	P6	P7	P8	P9	P10	P11	P12	P13	P14	P15	P16	P17	P18	P19	P20	P21	P22	P23	P24	P25	P26
Pin No.	30	29	28	27	26	25	24	23	22	21	20	19	18	17	16	15	14	13	12	11	10	9	8	7	6	5	4	3	2	1
Connection	P27	P28	P29	P30	P31	P32	P33	P34	P35	NX	NX	15G	14G	13G	12G	11G	10G	9G	8G	7G	6G	5G	4G	3G	2G	1G	NP	NP	NX	F1

Note : 1) F1, F2 Filament 2) NP No pin 3) NX No extended Pin 4) 1G ~ 15G Grid

● GRID ASSIGNMENT

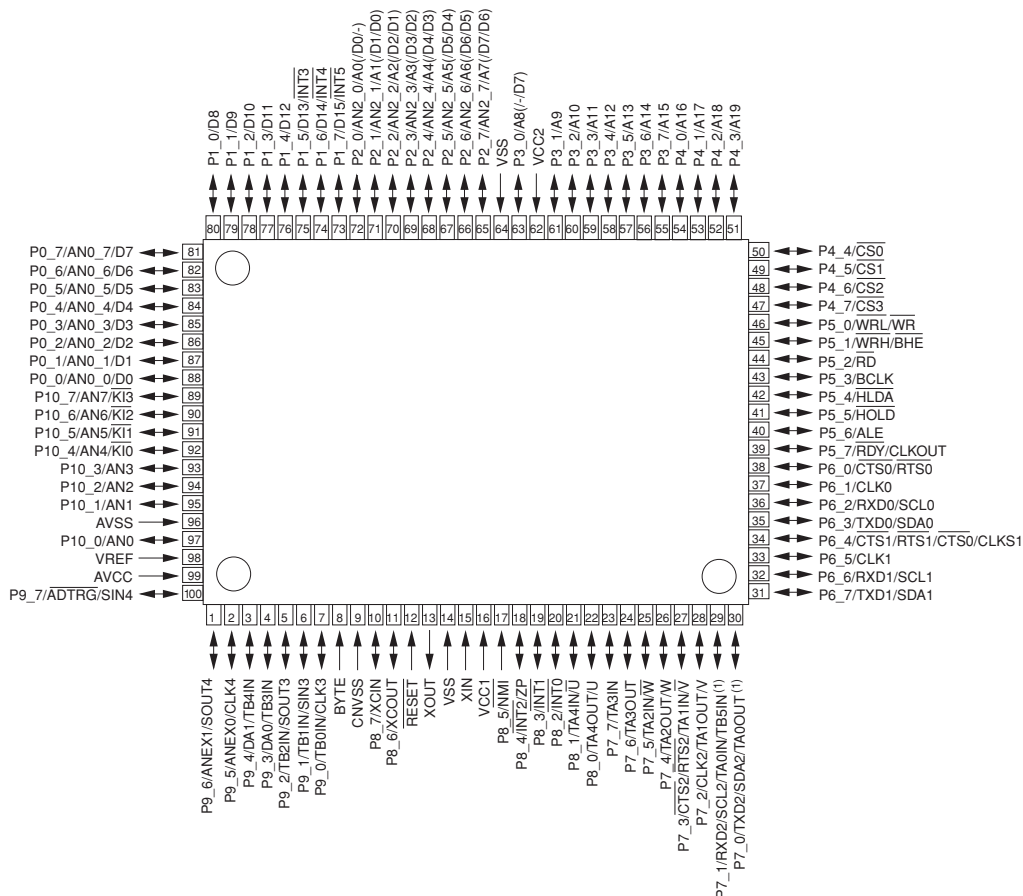
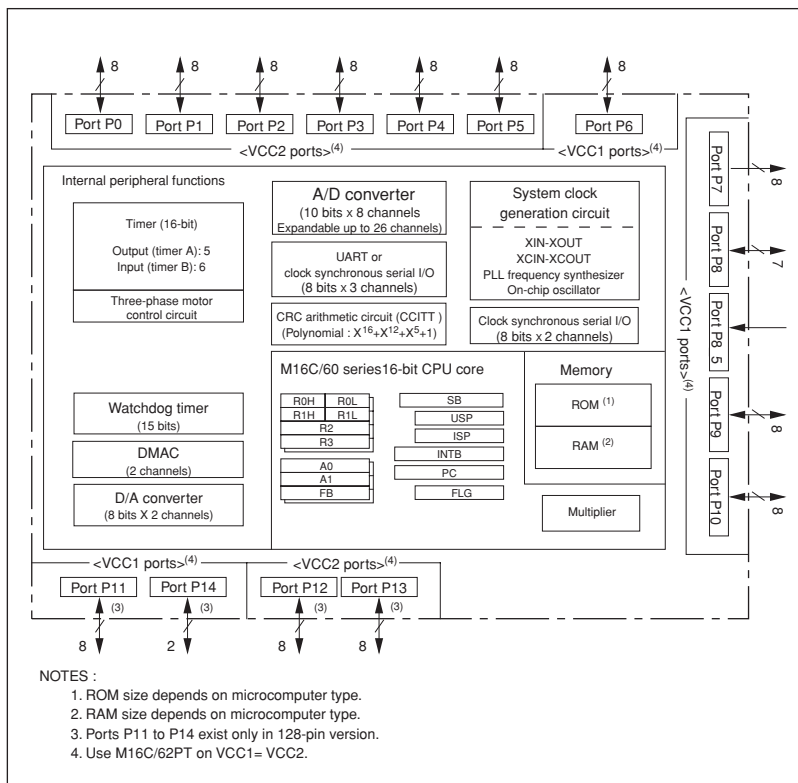


● ANODE CONNECTION

	1G~14G	15G		1G~14G	15G		1G~14G	15G
P1	1-1	—	P13	3-3	PL	P25	5-5	ms
P2	2-1	—	P14	4-3	II	P26	1-6	dB
P3	3-1	—	P15	5-3	—	P27	2-6	S1
P4	4-1	—	P16	1-4	—	P28	3-6	B1
P5	5-1	—	P17	2-4	—	P29	4-6	B2
P6	1-2	—	P18	3-4	—	P30	5-6	B3
P7	2-2	NIGHT	P19	4-4	—	P31	1-7	B4
P8	3-2	SLEEP	P20	5-4	—	P32	2-7	B5
P9	4-2	dts	P21	1-5	—	P33	3-7	B6
P10	5-2	AAC	P22	2-5	DUAL	P34	4-7	B7
P11	1-3	PCM	P23	3-5	m	P35	5-7	B8
P12	2-3	DIGITAL	P24	4-5	ft			

IC DATA

IC304 : M30626FHPFP (DSP P.C.B)
Single-Chip 16bit CMOS MICROCOMPUTER (Main CPU)



IC304 : M30626FHPFP (DSP P.C.B)
Single-Chip 16bit CMOS MICROCOMPUTER (Main CPU)

No.	Name	Port	I/O	Function
1	PO96	SOUT4	S-OUT	FL Driver TxD (Serial I/O-4)
2	PO95	CLK4	S-CLK	FL Driver CLOCK OUT (Serial I/O-4)
3	PO94	DA1		(Unconnected)
4	PO93	-	-	
5	PO92	SOUT3	S-OUT	YSS TxD (Serial I/O-3)
6	PI91	SIN3	S-IN	YSS RxD (Serial I/O-3)
7	PO90	CLK3	S-CLK	YSS CLOCK (Serial I/O-3)
8	BYTE	-	-	When single chip mode is selected: VSS (GND)
9	CNVSS	-	-	When single chip mode is selected: VSS (GND) via resistor (5.1 k-ohms) [For FLASH writing: Vcc]
10	PO87	CMOS	OUT	YSS CE
11	PO86	CMOS	OUT	YSS RESET
12	/RESET	-	-	RESET [L:RESET]
13	XOUT	-	-	16MHz OUT (feedback resistor included)
14	VSS	-	-	GND
15	XIN	-	-	16MHz IN (feedback resistor included)
16	VCC	-	-	Power supply +3.3V
17	PI85	/NMI	IN	Connected to Vcc via resistor (10 k-ohms) (NMI function unused)
18	PI84	/INT2	INT-IN	INT ADM
19	PI83	/INT1	INT-IN	INT DIR
20	PI82	/INT0	INT-IN	RS232C for communication RX interruption (connected to Pin 32)
21	PO81	TA4IN	OUT	
22	PO80	TA4OUT	OUT	
23	PO77	TA3IN	OUT	
24	PO76	TA3OUT	T-OUT	For FL filament (105KHz)
25	PO75	TA2IN	OUT	
26	PO74	TA2OUT	OUT	
27	PI73	/CTS2	IN	Ready(I2C)
28	PO72	CMOS	OUT	MUTE(I2C)
29	PIO71	SCL	I2C-CLK	I2C SCL [O: Pull-up resistor required N-OD] (Serial I/O-2)
30	PIO70	SDA	I2C-DAT	I2C SDA [O: Pull-up resistor required N-OD] (Serial I/O-2)
31	PO67	TxD1	S-OUT	For flash writing YDC DATA OUT , For flash writing RS232C TX (Serial I/O-1)
32	PI66	RxD1	S-IN	For flash writing YDC DATA IN, For flash writing RS232C RX (Serial I/O-1)
33	PO65	CLK1	S-CLK	For FLASH writing YDC CLK (Pull-down resistor required)(Serial I/O-1)
34	PO64	/CTS1	OUT	For FLASH writing Busy OUT, For communication RS232C /RTS
35	PO63	TxD0	TX	For communication RS232C TX (connected to Pin 31) (UART0)
36	PI62	RxD0	RX	For communication RS232C RX (connected to Pin 32) (UART0)
37	PO61	CLK0	OUT	(Unconnected)
38	PO60	/CTS0	OUT	For communication RS232C /CTS
39	PO57	CLKOUT	OUT	
40	PO56	ALE	OUT	
41	PI55	/HOLD	IN	Connected to VSS (GND) via resistor (10 k-ohms) (For flash writing: L)
42	PO54	/HLDA	OUT	DIR CS
43	PO53	BCLK	OUT	ADM CS
44	PO52	/RD	OUT	DIR RESET
45	PO51	/WRH	OUT	ADM RESET
46	PI50	/WRL	IN	Connected to Vcc via resistor (10 k-ohms) (For flash writing: H)
47	PO47	/CS3	OUT	DAC CS
48	PO46	/CS2	OUT	(Unconnected)
49	PO45	/CS1	OUT	Power relay output [H: ON]
50	PO44	/CS0	OUT	FL Driver RESET(Light off) OUT
51	PO43	CMOS	OUT	CS OUT to E ² PROM (Pull-down resistor required) [H: DATA transfer]
52	PO42	CMOS	OUT	DATA OUT to E ² PROM
53	PI41	-	IN	DATA IN from E ² PROM

IC304 : M30626FHPFP (DSP P.C.B)
Single-Chip 16bit CMOS MICROCOMPUTER (Main CPU)

No.	Name	PORT	I/O	Function
54	PO40	CMOS	OUT	CLK OUT to E ² PROM
55	PO37	CMOS	OUT	
56	PO36	-	IN	(Design test terminal ... H: PS protection OFF and 232C are forced for 1Lim setting) [L: Normal]
57	PO35	CMOS	OUT	
58	PO34	CMOS	OUT	
59	PO33	CMOS	OUT	
60	PO32	CMOS	OUT	
61	PO31	CMOS	OUT	
62	VCC	-	-	Power supply +3.3V
63	PO30	CMOS	OUT	SWFR Mute [L: MUTE]
64	VSS	-	-	GND
65	PO27	CMOS	OUT	OSD TxD
66	PO26	CMOS	OUT	OSD Enable
67	PO25	CMOS	OUT	OSD Clock
68	PO24	CMOS	OUT	
69	PO23	CMOS	OUT	
70	PO22	CMOS	OUT	
71	PO21	CMOS	OUT	
72	PO20	CMOS	OUT	
73	P17	/INT5	INT-IN	PowerDown DETECT INT IN [L: POWER DOWN]
74	P16	/INT4	INT-IN	Standby SW IN [H: ON]
75	P15	/INT3	INT-IN	Remote controller IN
76	PO14	CMOS	OUT	
77	PO13	CMOS	OUT	PLD Reset
78	PO12	CMOS	OUT	Analog input selected [L: TV H: VCR]
79	PO11	CMOS	OUT	NRESET(TI, BEAMIC, FLASH用 RESET)
80	PO10	CMOS	OUT	
81	PO07	CMOS	OUT	
82	PO06	CMOS	OUT	
83	PO05	CMOS	OUT	
84	PO04	CMOS	OUT	
85	PO03	CMOS	OUT	
86	PO02	-	IN	(Digital amplifier IC temperature detection) ... unused
87	PO01	-	IN	(Digital amplifier IC voltage detection) ... unused
88	PO00	-	IN	(Digital amplifier IC current detection) ... unused
89	A/D7	AN7	A-D IN	Destination selection input (Pull-up resistor required) [0 ~ VREF]
90	A/D6	AN6	A-D IN	Power voltage detection (PS Protect) IN [0 ~ VREF]
91	A/D5	AN5	A-D IN	3.3V power start-up detection IN (Pull-down resistor required) [0 ~ VREF]
92	A/D4	AN4	A-D IN	(Pull-up resistor required) [0 ~ VREF]
93	A/D3	AN3	A-D IN	Temperature detection (thermistor) IN ... unused [0 ~ VREF]
94	A/D2	AN2	A-D IN	Key AD Input 0 (Pull-up resistor required) [0 ~ VREF]
95	A/D1	AN1	A-D IN	Key AD Input 1 (Pull-up resistor required) [0 ~ VREF]
96	AVSS	-	-	Connected to VSS (GND)
97	A/D0	AN0	A-D IN	(Pull-up resistor required) [0 ~ VREF]
98	VREF	-	-	A-D, D-A Reference voltage input [~ VCC]
99	AVCC	-	-	Connected to VCC terminal (+3.3V)
100	PO97	(SIN4)	OUT	FL Driver CE OUT

Key Input (A-D) Pull-Up Resistance 10 k-ohms

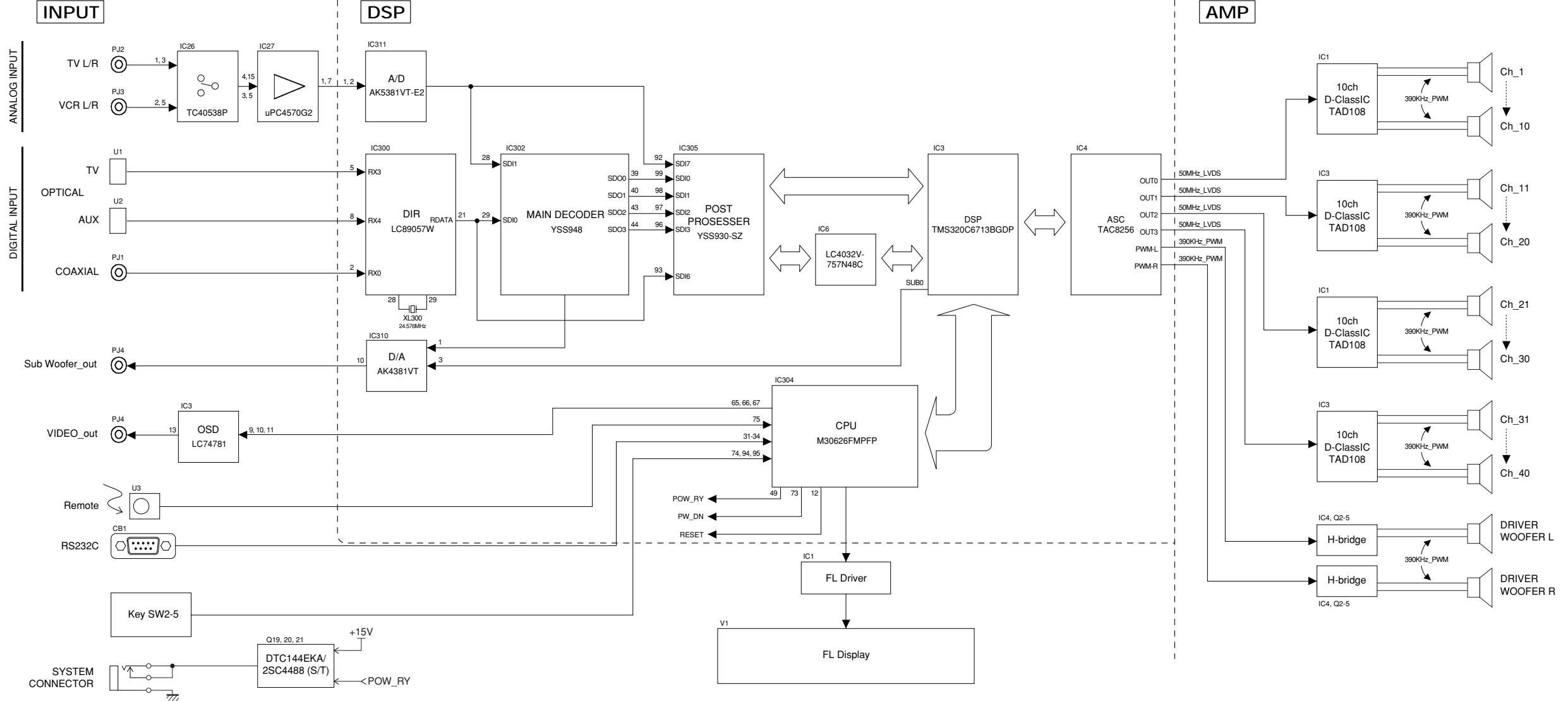
Ohm	0 k	+ 1.2k
V	~ 0.30	~ 0.70
ADKEY 0 94pin A/D2	VOLUME +	INPUT
ADKEY 1 95pin A/D1	VOLUME -	-

BLOCK DIAGRAM

• See page 53 → SCHEMATIC DIAGRAM

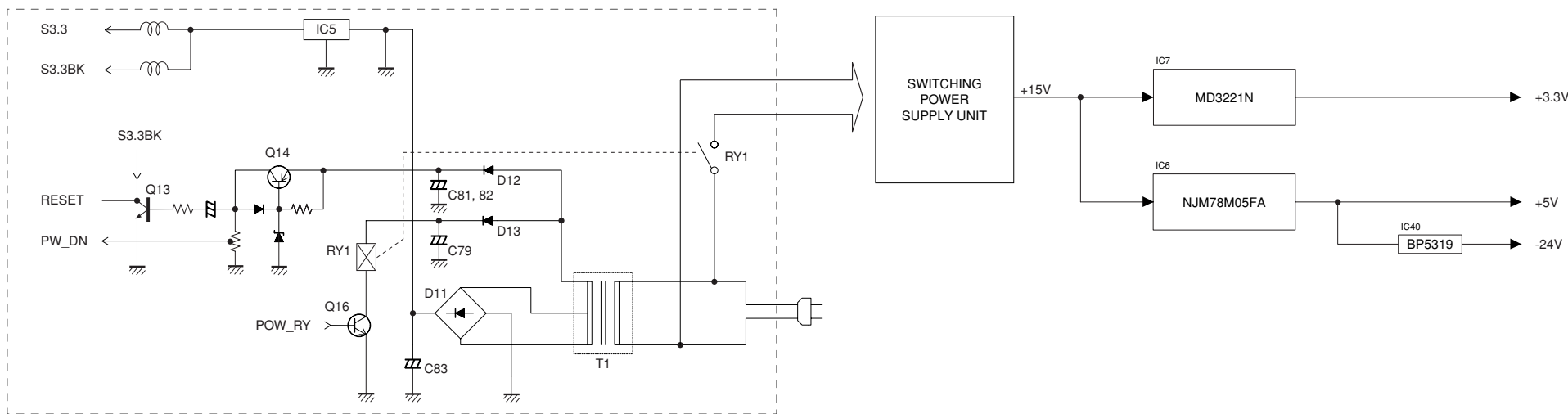
• See page 51, 52 → SCHEMATIC DIAGRAM

• See page 54 → SCHEMATIC DIAGRAM



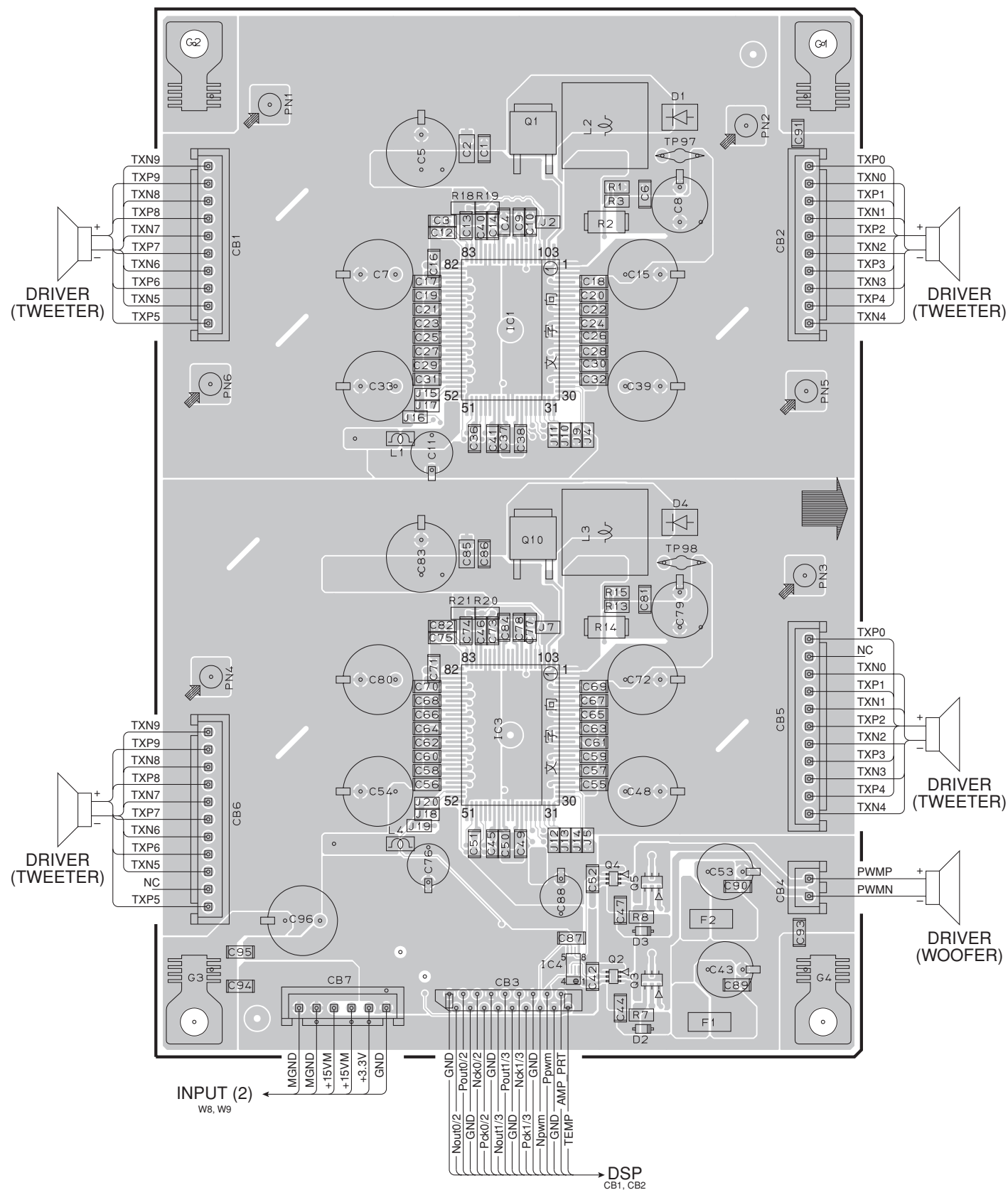
• See page 53 → SCHEMATIC DIAGRAM

INPUT



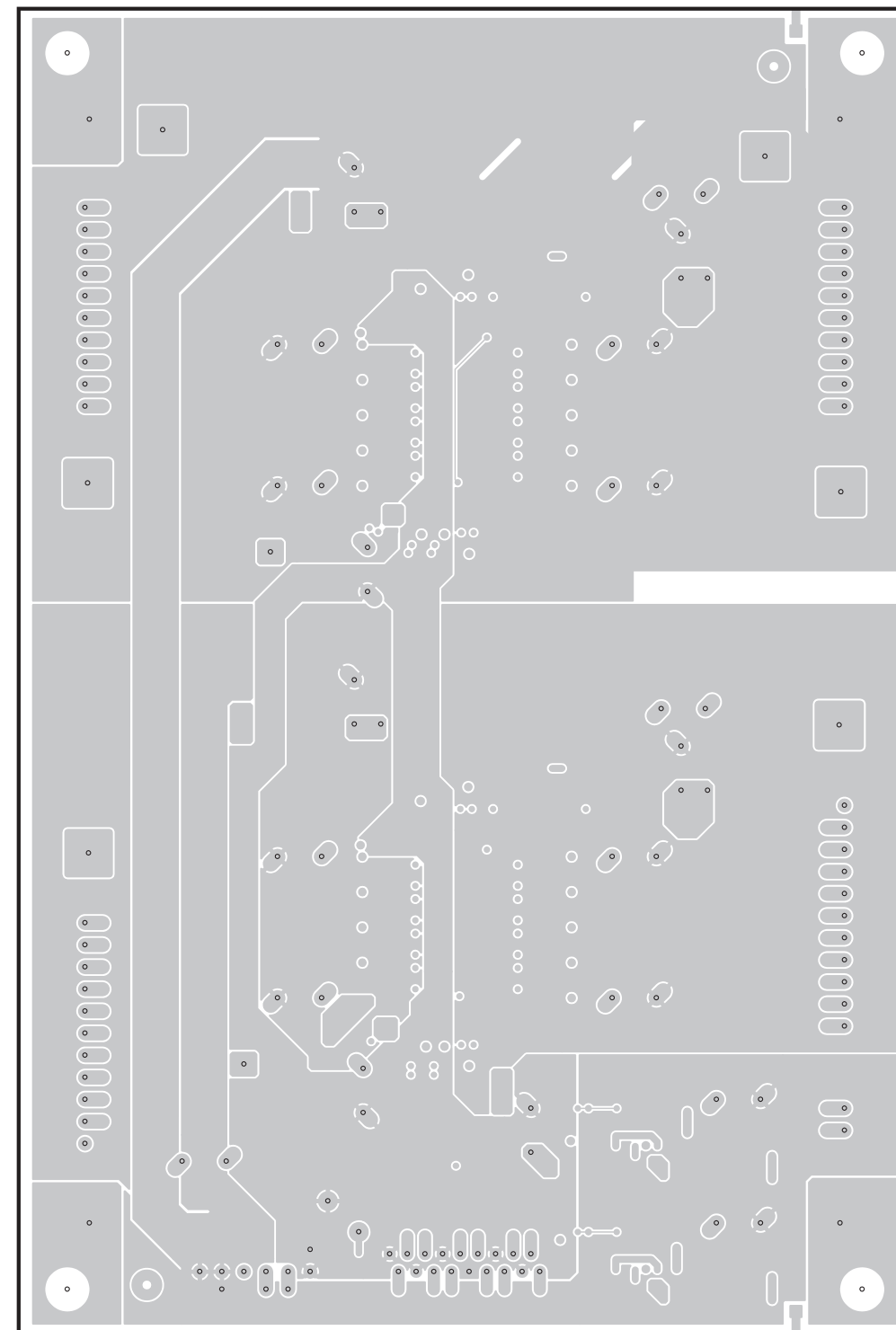
1 ■ PRINTED CIRCUIT BOARD (Foil side)

AMP P.C.B. (Side A) Lead Free Solder Used



Ref No.	Location
D1	D2
D2	D6
D3	D6
D4	D4
IC1	C3
IC3	C5
IC4	D6
Q1	C2
Q2	D6
Q3	D6
Q4	D6
Q5	D6
Q10	C4

AMP P.C.B. (Side B) Lead Free Solder Used

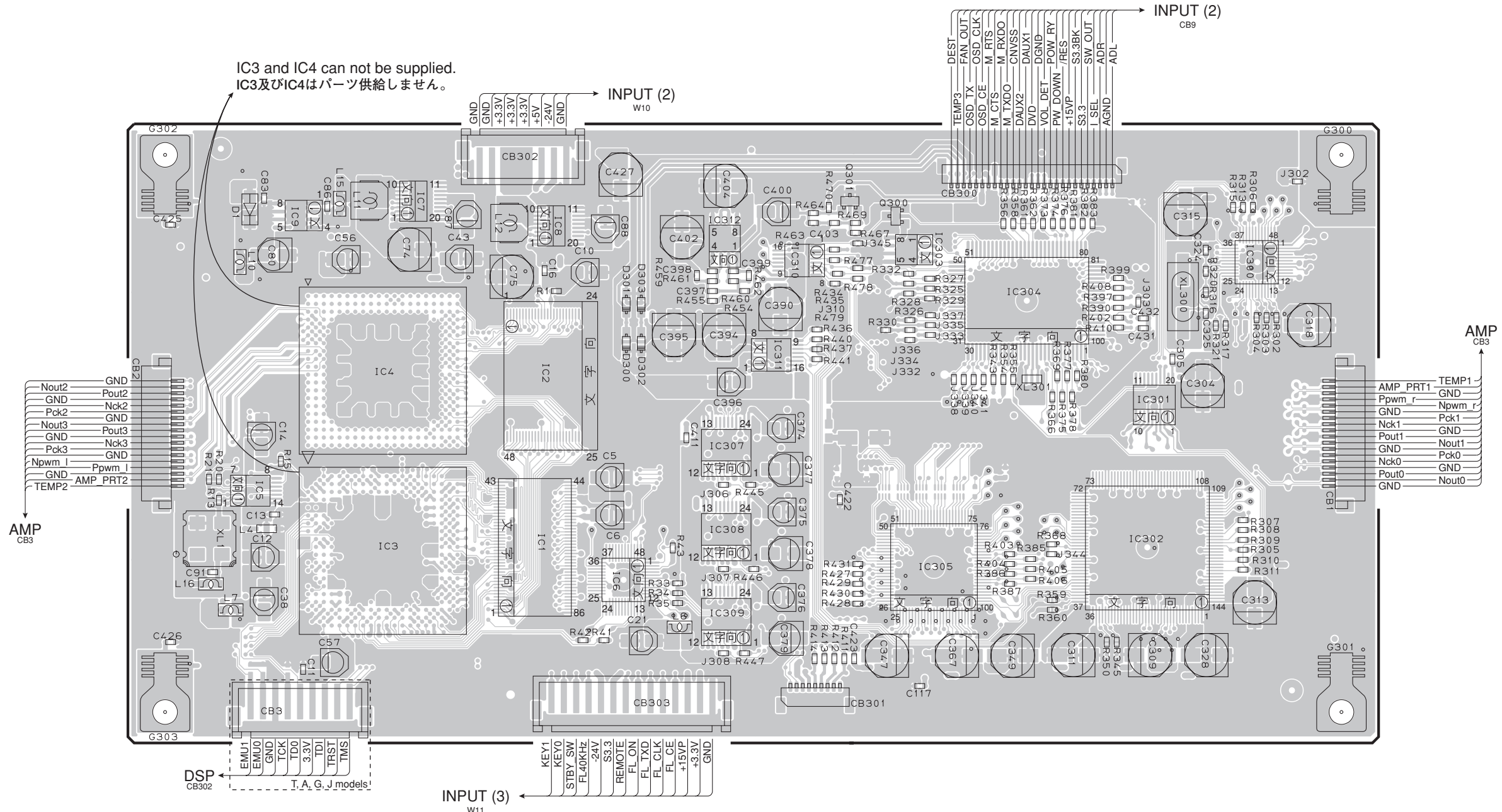


1
2
3
4
5
6
7

PRINTED CIRCUIT BOARD (Foil side)

DSP P.C.B. (Side A) Lead Free Solder Used

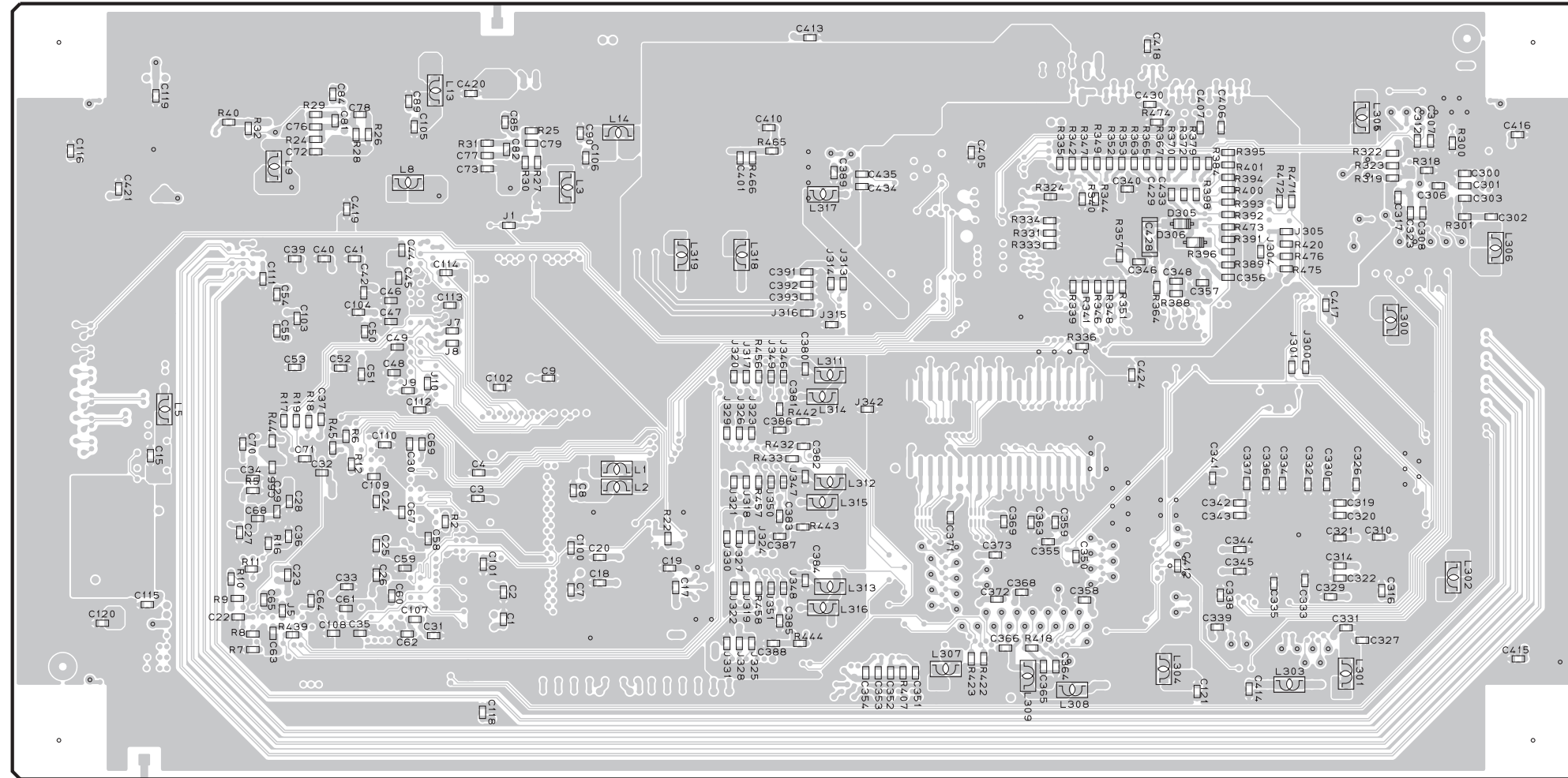
IC3 and IC4 can not be supplied.
IC3及びIC4はパーツ供給しません。



Ref No.	Location
D1	B3
D300	D4
D301	D3
D302	D4
D303	D3
IC1	D5
IC2	D3
IC3	C5
IC4	C4
IC5	B4
IC6	D5
IC7	C3
IC8	D3
IC9	C3
IC300	H3
IC301	G4
IC302	G5
IC303	F3
IC304	F3
IC305	F5
IC307	E4
IC308	E5
IC309	E5
IC310	E3
IC311	E4
IC312	E3
Q300	E3
Q301	F3

1 ■ PRINTED CIRCUIT BOARD (Foil side)

DSP P.C.B. (Side B) Lead Free Solder Used



Ref No.	Location
D305	F3
D306	F3

1
2
3
4
5
6
7

1

PRINTED CIRCUIT BOARD (Foil side)

INPUT (1) P.C.B. (Side B) Lead Free Solder Used

2

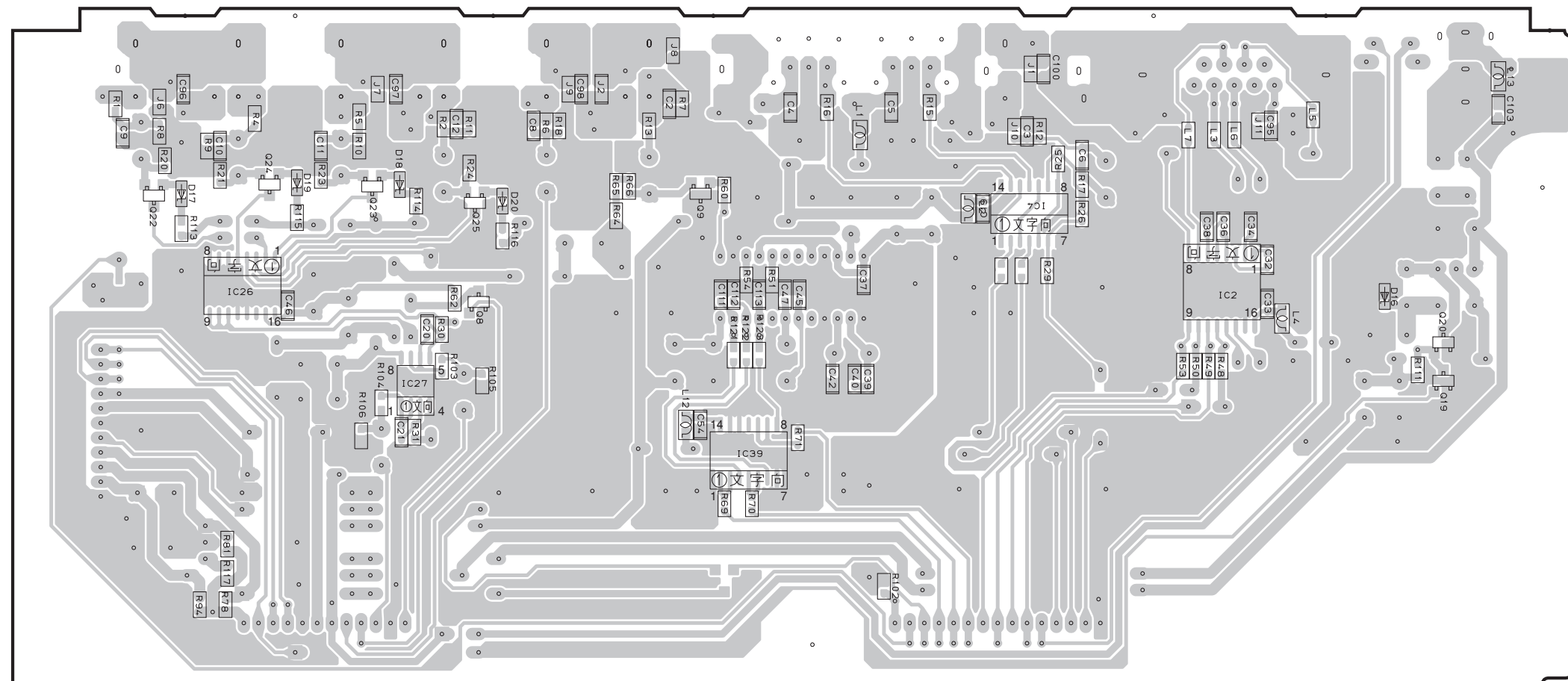
3

4

5

6

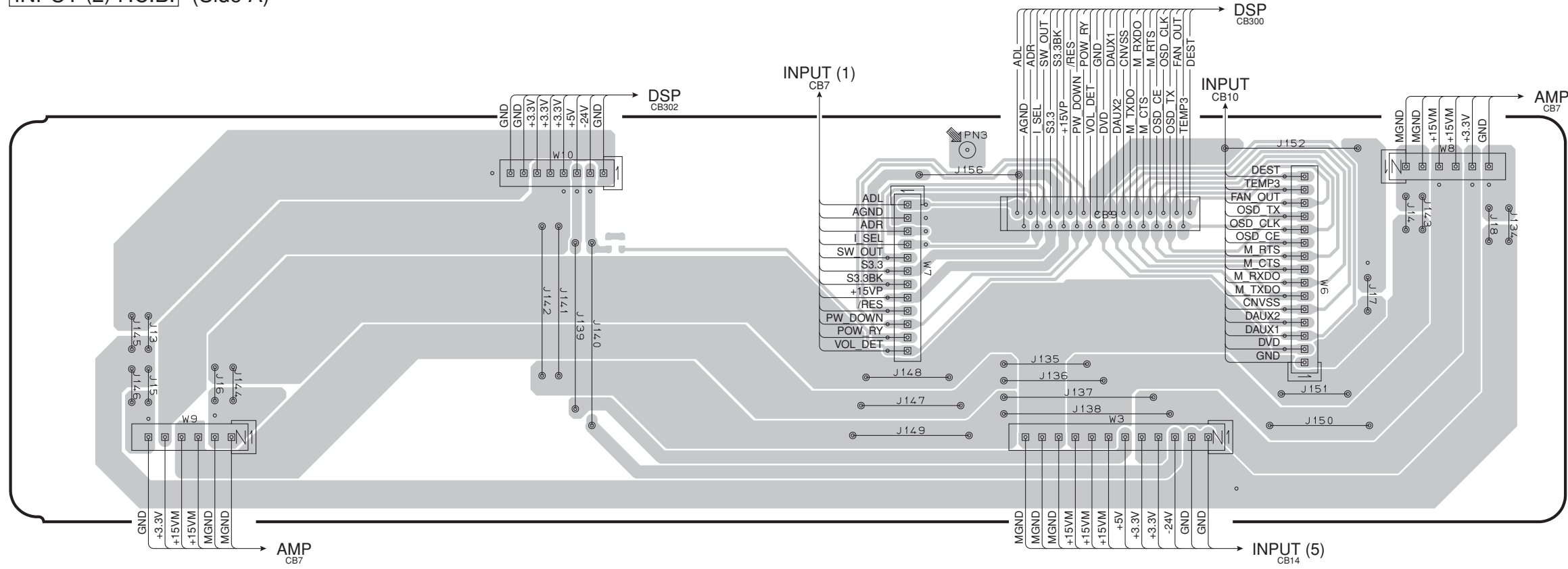
7



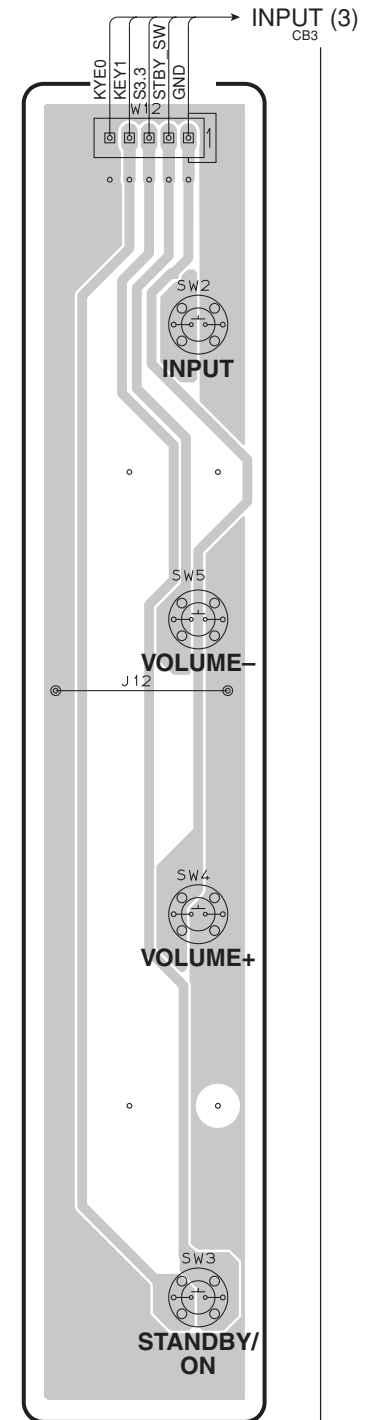
Ref No.	Location	Ref No.	Location	Ref No.	Location
D16	H4	IC4	F4	Q19	H4
D17	C4	IC26	C4	Q20	H4
D18	D4	IC27	D4	Q22	C4
D19	C4	IC39	E5	Q23	D4
D20	D4	Q8	D4	Q24	C4
IC2	H4	Q9	E4	Q25	D4

PRINTED CIRCUIT BOARD (Foil side)

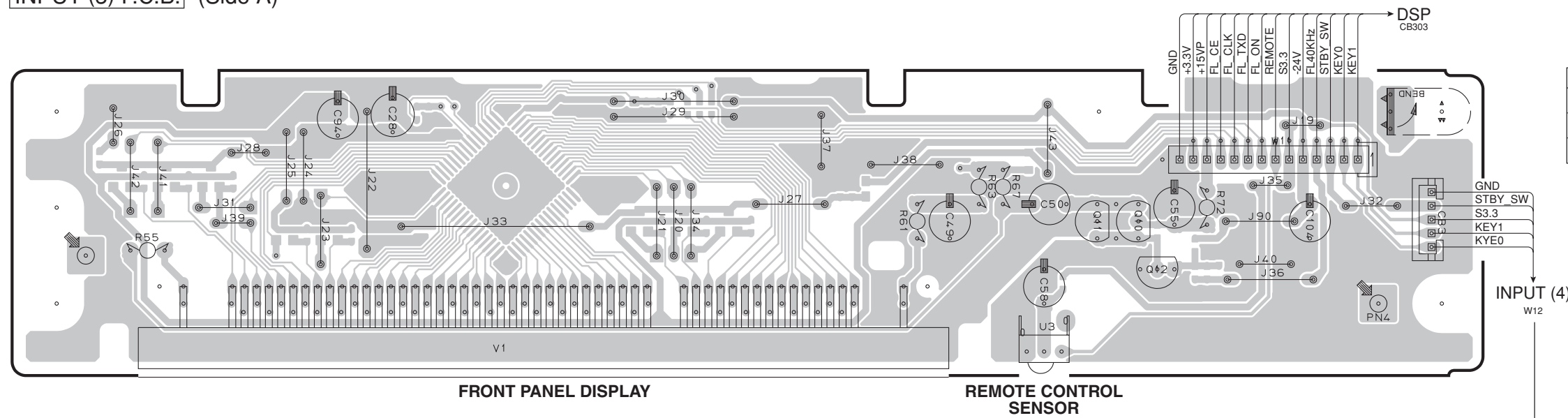
INPUT (2) P.C.B. (Side A)



INPUT (4) P.C.B. (Side A)



INPUT (3) P.C.B. (Side A)



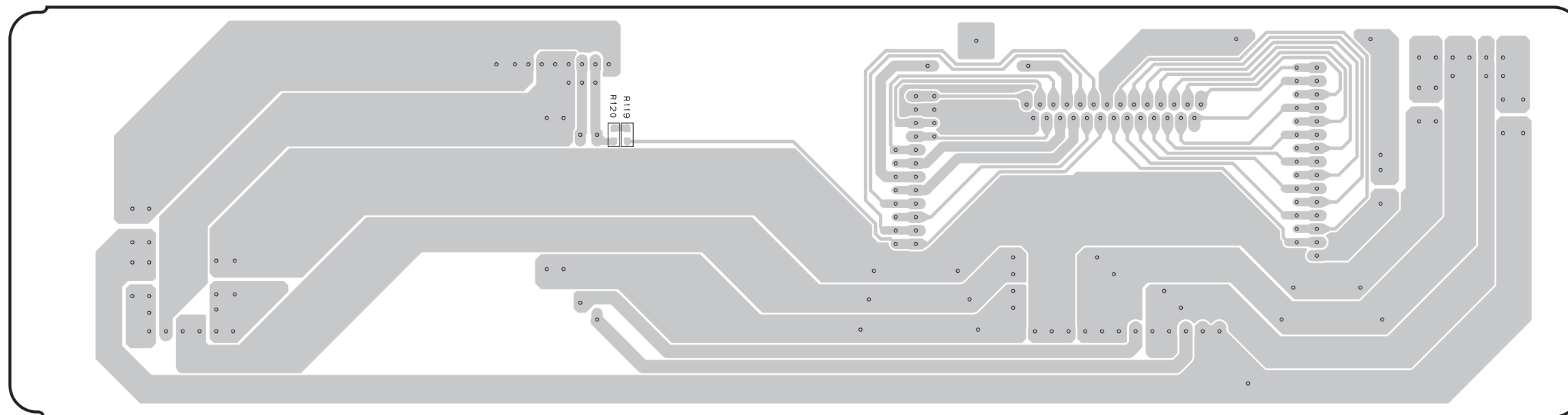
Ref No.	Location
Q10	F6
Q11	F6
Q12	F6

1 ■ PRINTED CIRCUIT BOARD (Foil side)

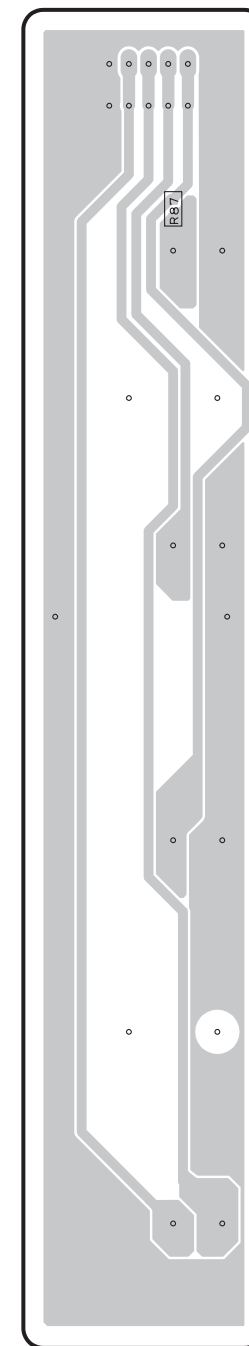
INPUT (2) P.C.B. (Side B) Lead Free Solder Used

INPUT (4) P.C.B. (Side B) Lead Free Solder Used

2



3

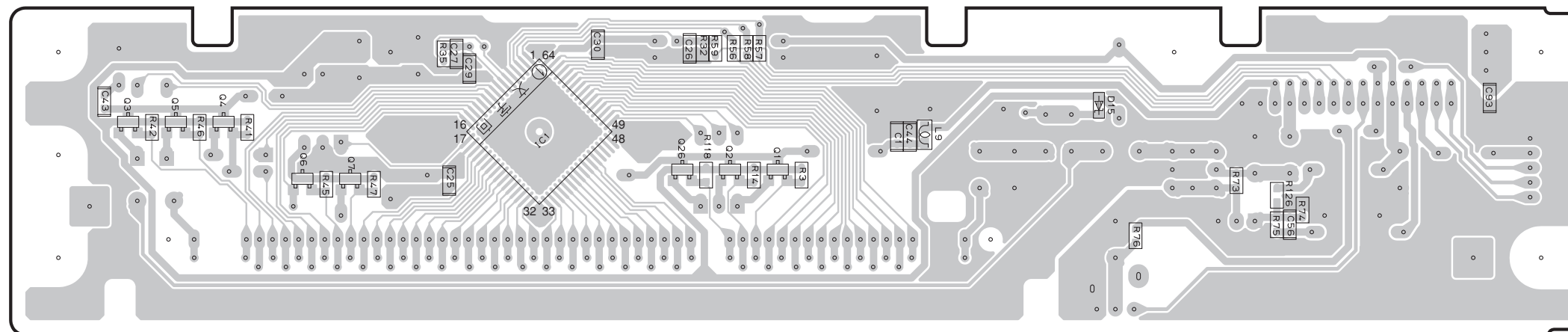


4

INPUT (3) P.C.B. (Side B) Lead Free Solder Used

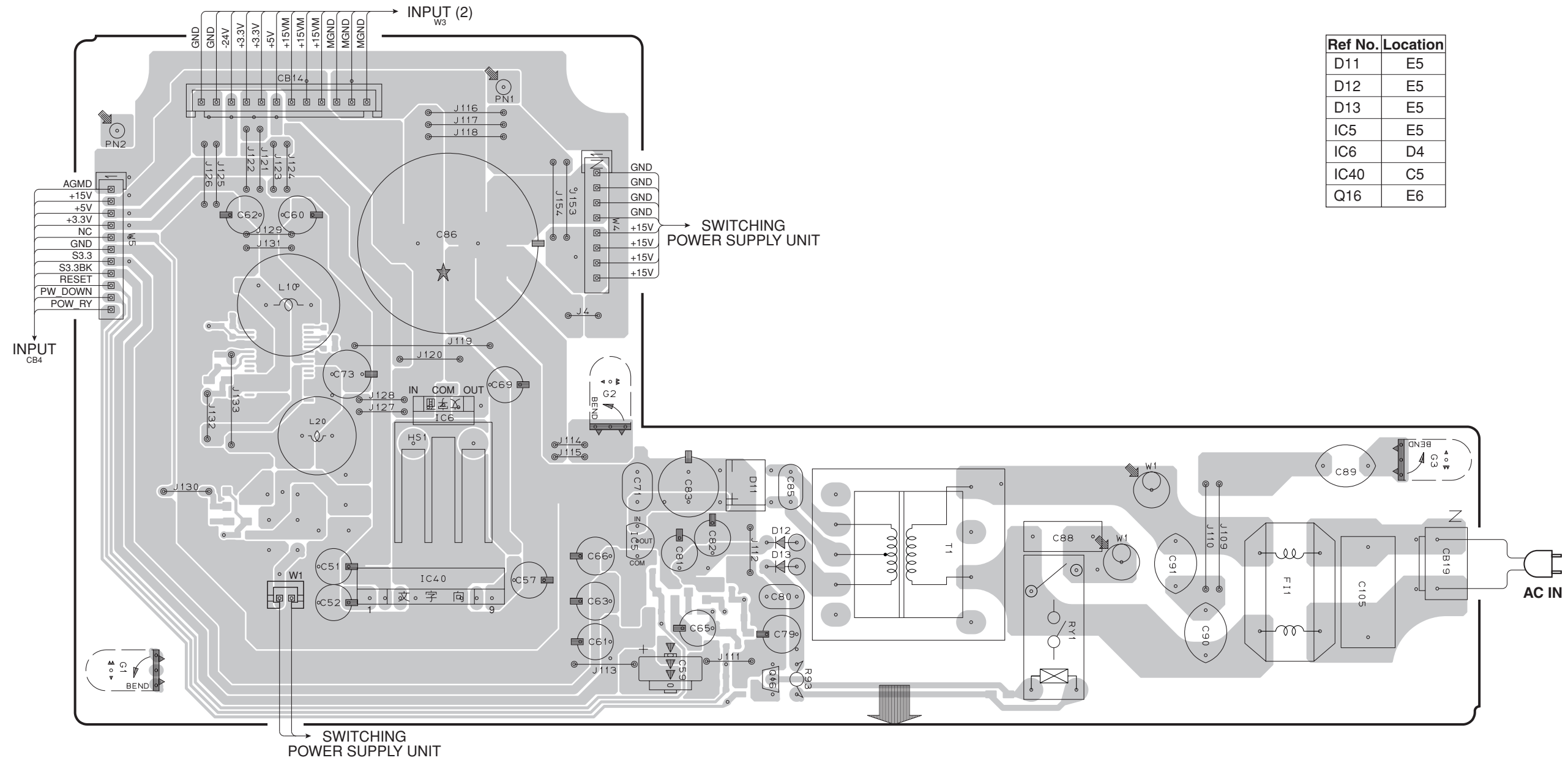
Ref No.	Location
D15	F5
IC1	C5
Q1	D6
Q2	D6
Q3	A6
Q4	B6
Q5	B6
Q6	B6
Q7	B6
Q26	D6

5



PRINTED CIRCUIT BOARD (Foil side)

INPUT (5) P.C.B. (Side A)



Ref No.	Location
D11	E5
D12	E5
D13	E5
IC5	E5
IC6	D4
IC40	C5
Q16	E6

1

PRINTED CIRCUIT BOARD (Foil side)

INPUT (5) P.C.B. (Side B) Lead Free Solder Used

2

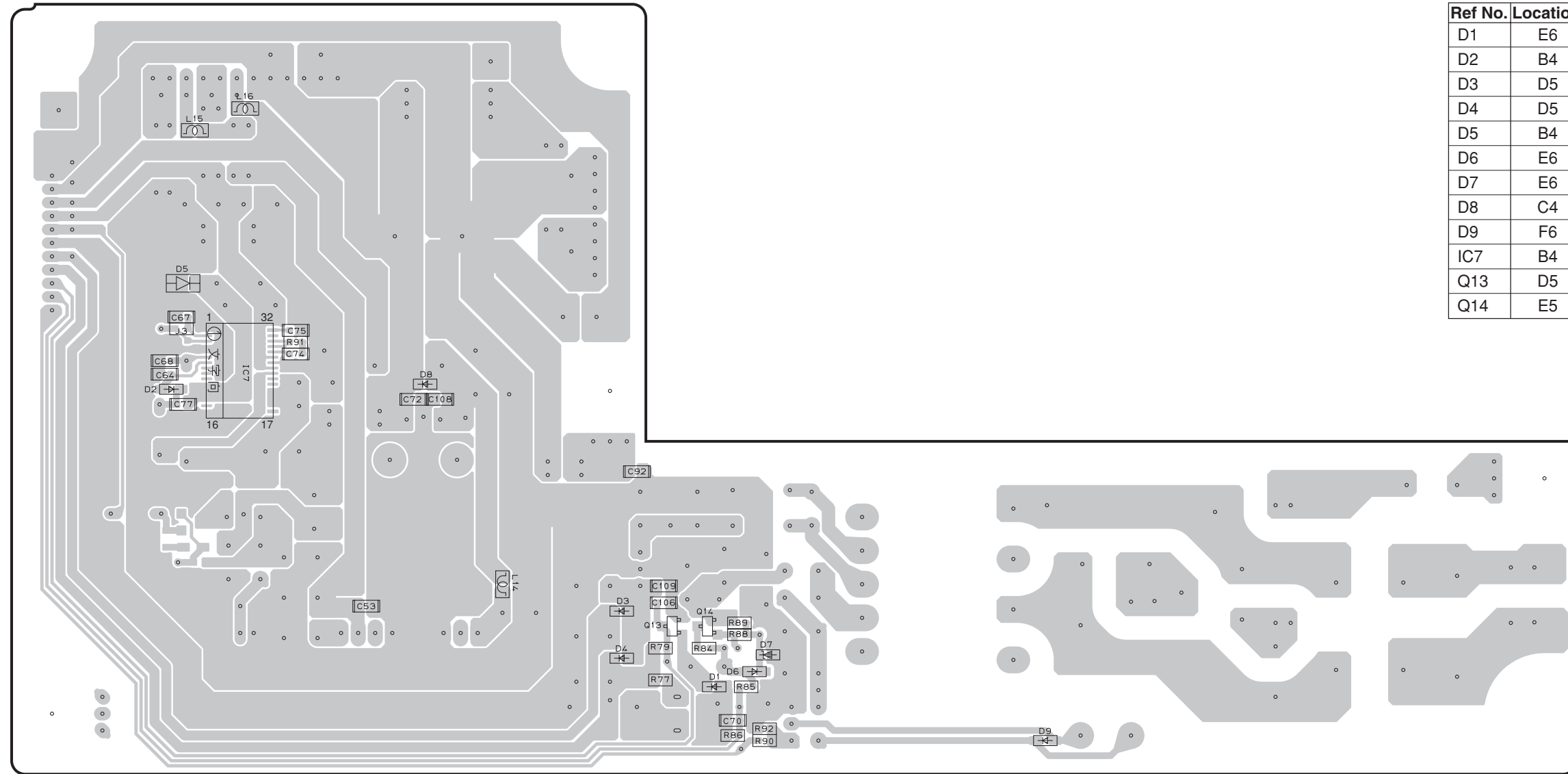
3

4

5

6

7



Ref No.	Location
D1	E6
D2	B4
D3	D5
D4	D5
D5	B4
D6	E6
D7	E6
D8	C4
D9	F6
IC7	B4
Q13	D5
Q14	E5

■ PIN CONNECTION DIAGRAM

• ICs

<p>AN77L04</p>	<p>NJM7805FA</p>	<p>NJM2068MD</p>	<p>S-29630AFJA</p>	<p>SN74LVC2G08DCUR</p>	<p>TPS2034D</p>
<p>μPC4570G2</p>	<p>BP5319F</p>	<p>TC74HCU04AF-TP1 TC74HCT08AF</p>	<p>SN74LVC74APWR</p>	<p>AK5381VT</p>	
<p>AK4381VT</p>	<p>MAX3232CDWR</p>	<p>TC4053BF</p>	<p>SN74LV245APWR</p>	<p>TPS54310PWPR</p>	
<p>AK4121VF</p>	<p>LC74781-9798</p>	<p>MD3221N</p>	<p>MT48LC2M32B2</p>		
<p>MBM29LV160BE</p>	<p>LC89057W-VF4-E</p>	<p>LC4032V-75TN48C</p>	<p>M66003-0101FP</p>		
<p>TAD108 M30626FHPFP</p>	<p>YSS930</p>	<p>YSS948-V</p>			

• Diodes

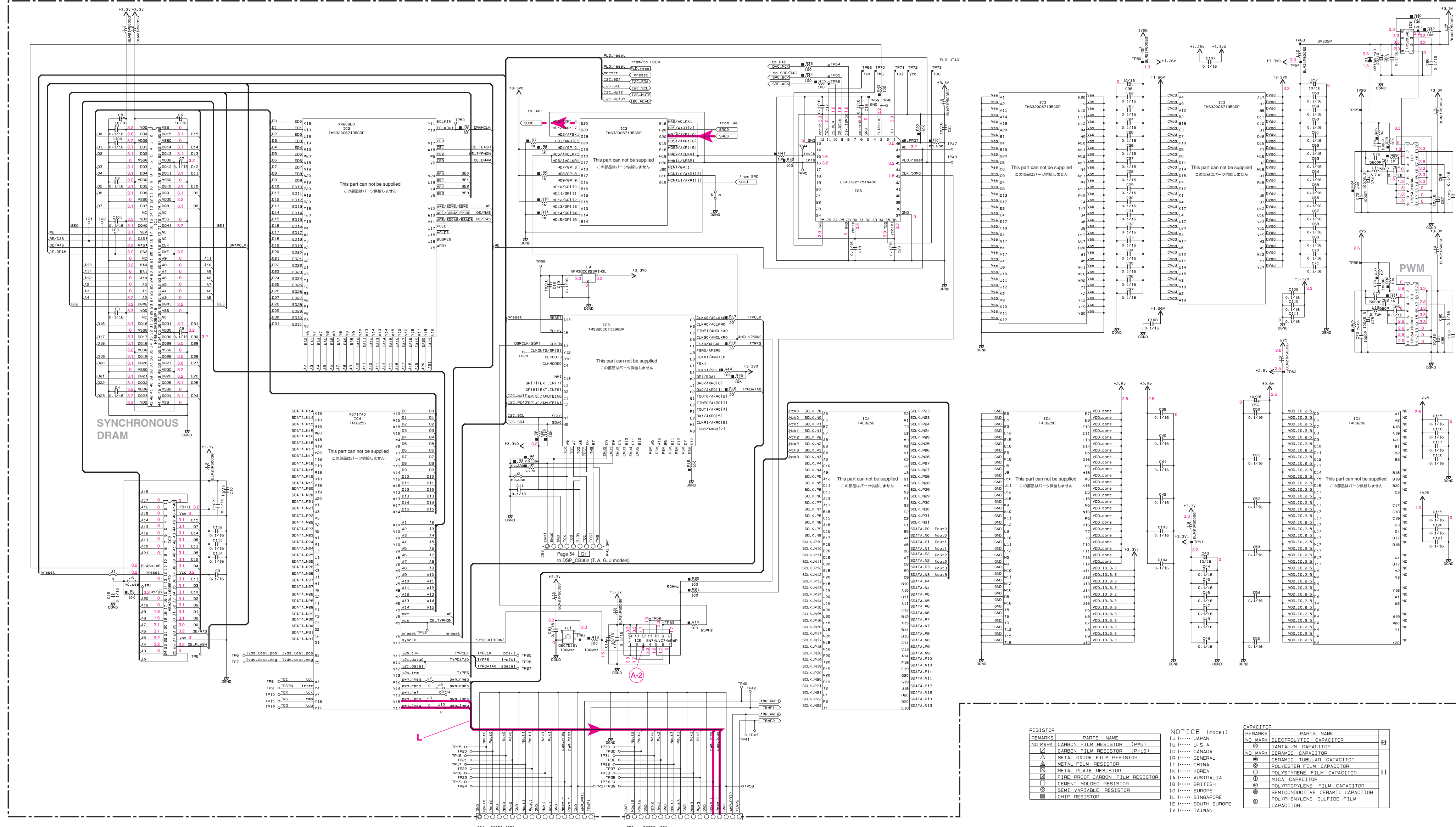
<p>1N4002S</p>	<p>1SS355 1SS380 MA8036 3.6V MA8062 6.2V MA8110 11.0V RB501V-40</p>
<p>M2FM3 RB051L-40 RB160L-60</p>	<p>S1NB20</p>

• Transistors

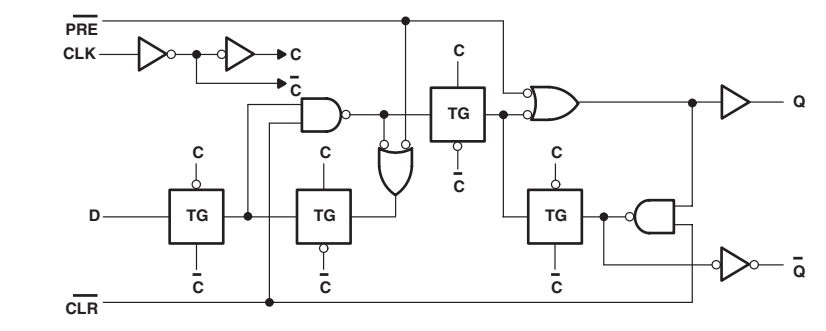
<p>2SA934 2SC1815 2SC2060</p>	<p>2SC1740S</p>	<p>2SA1037K 2SC2412K 2SD1938F DTA114EKA DTC114EKA DTC144EKA</p>	<p>2SC4488</p>
---------------------------------------	-----------------	---	----------------

■ SCHEMATIC DIAGRAM (DSP 1/2)

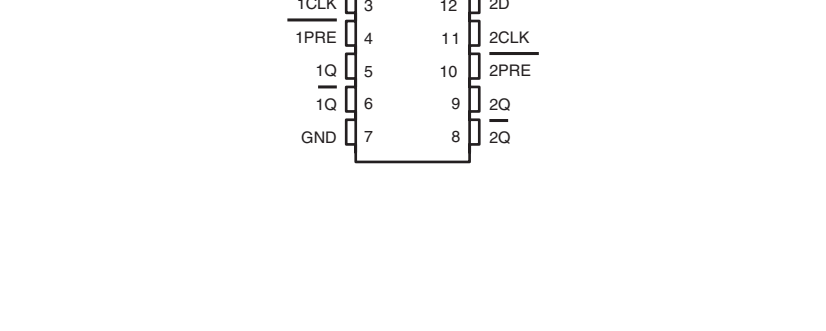
IC3 and IC4 can not be supplied. / IC3及びIC4はパーツ供給しません。



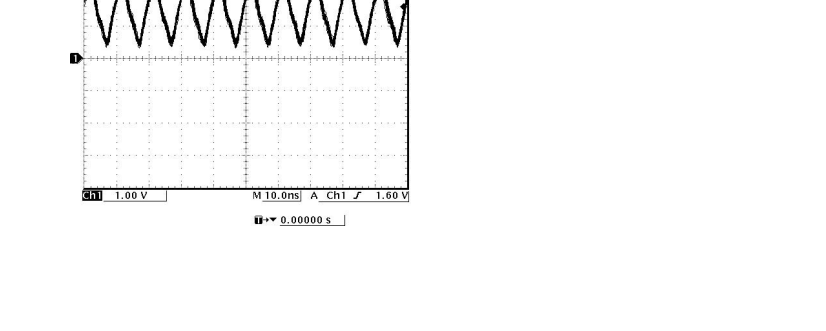
IC5: SN74LVC74APWR
DUAL POSITIVE-EDGE-TRIGGERED D-TYPE FLIP-FLOPS



POINT A-2 pin 3 of IC5

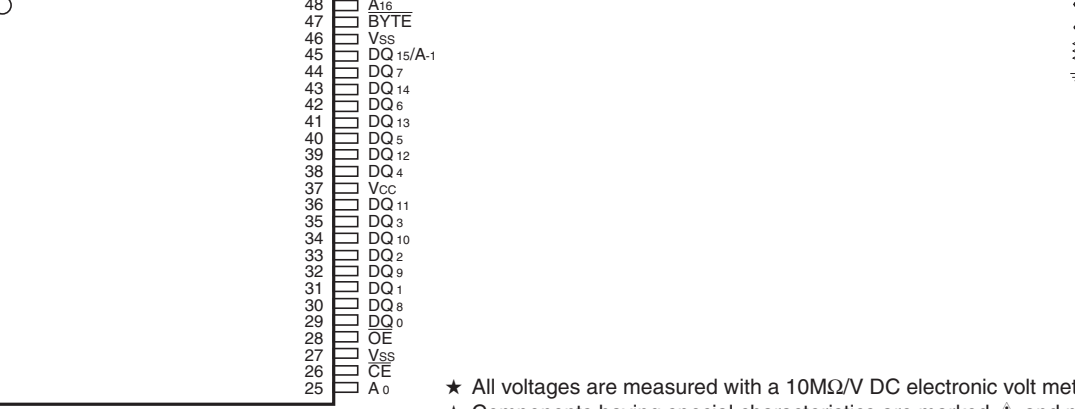
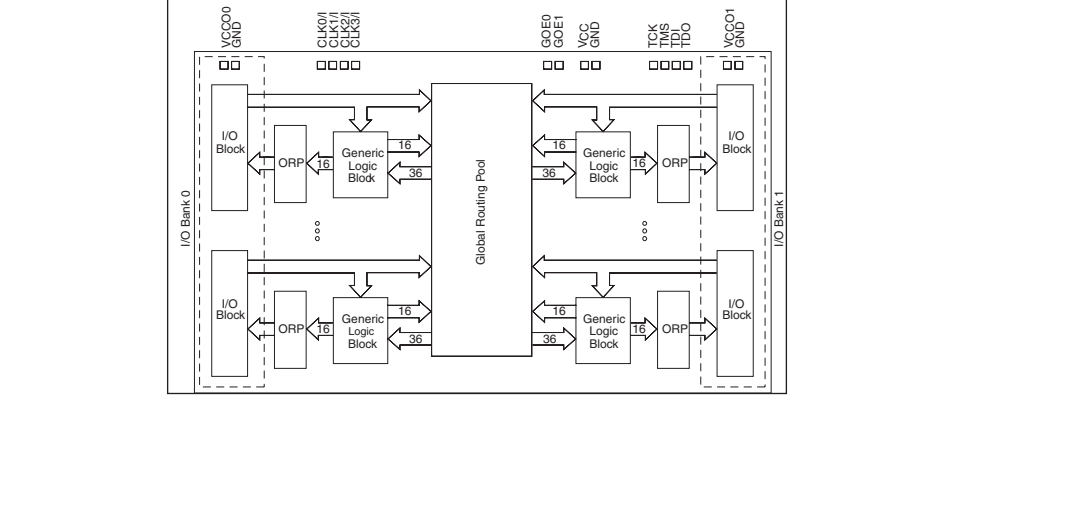


IC9: TPS2034D
POWER-DISTRIBUTION SWITCHES

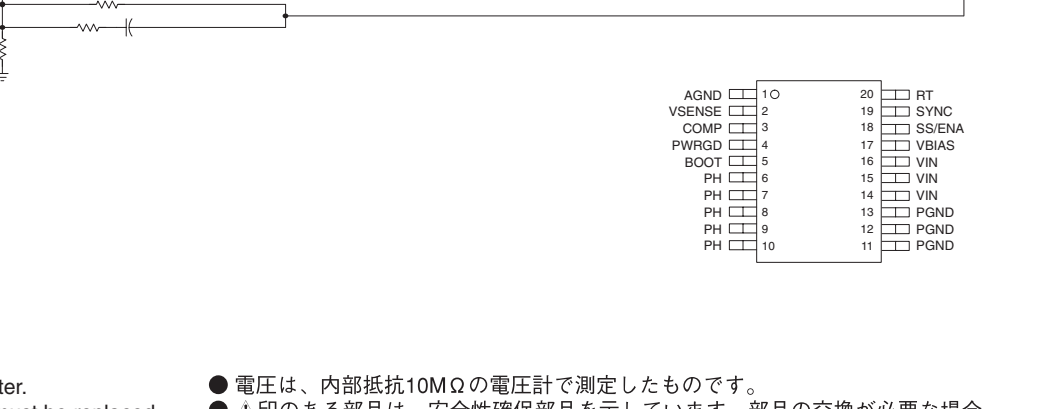
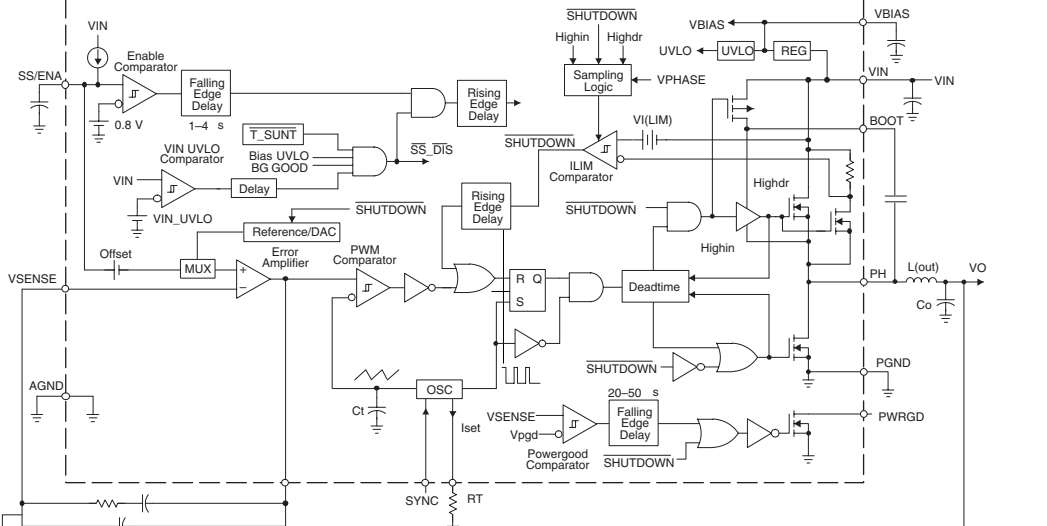


REMARKS	PARTS NAME	REMARKS	PARTS NAME
NO MARK	CARBON FILM RESISTOR (P=1)	NO MARK	ELECTROLYTIC CAPACITOR
△	METAL OXIDE FILM RESISTOR (P=10)	⊗	TANTALUM CAPACITOR
□	METAL FILM RESISTOR	⊙	NO MARK CERAMIC CAPACITOR
○	METAL GLAZE RESISTOR	⊕	CERAMIC TUBULAR CAPACITOR
◇	FINE PROF CARBON FILM RESISTOR	⊖	POLYESTER FILM CAPACITOR
◇	CEMENT MIXED RESISTOR	⊗	POLYSTYRENE FILM CAPACITOR
◇	SEMI-VARIABLE RESISTOR	⊕	MICA CAPACITOR
■	CHIP RESISTOR	⊖	POLYPROPYLENE FILM CAPACITOR
		⊕	SEMICONDUCTIVE CERAMIC CAPACITOR
		⊖	POLYPHENYLENE SULFIDE FILM CAPACITOR

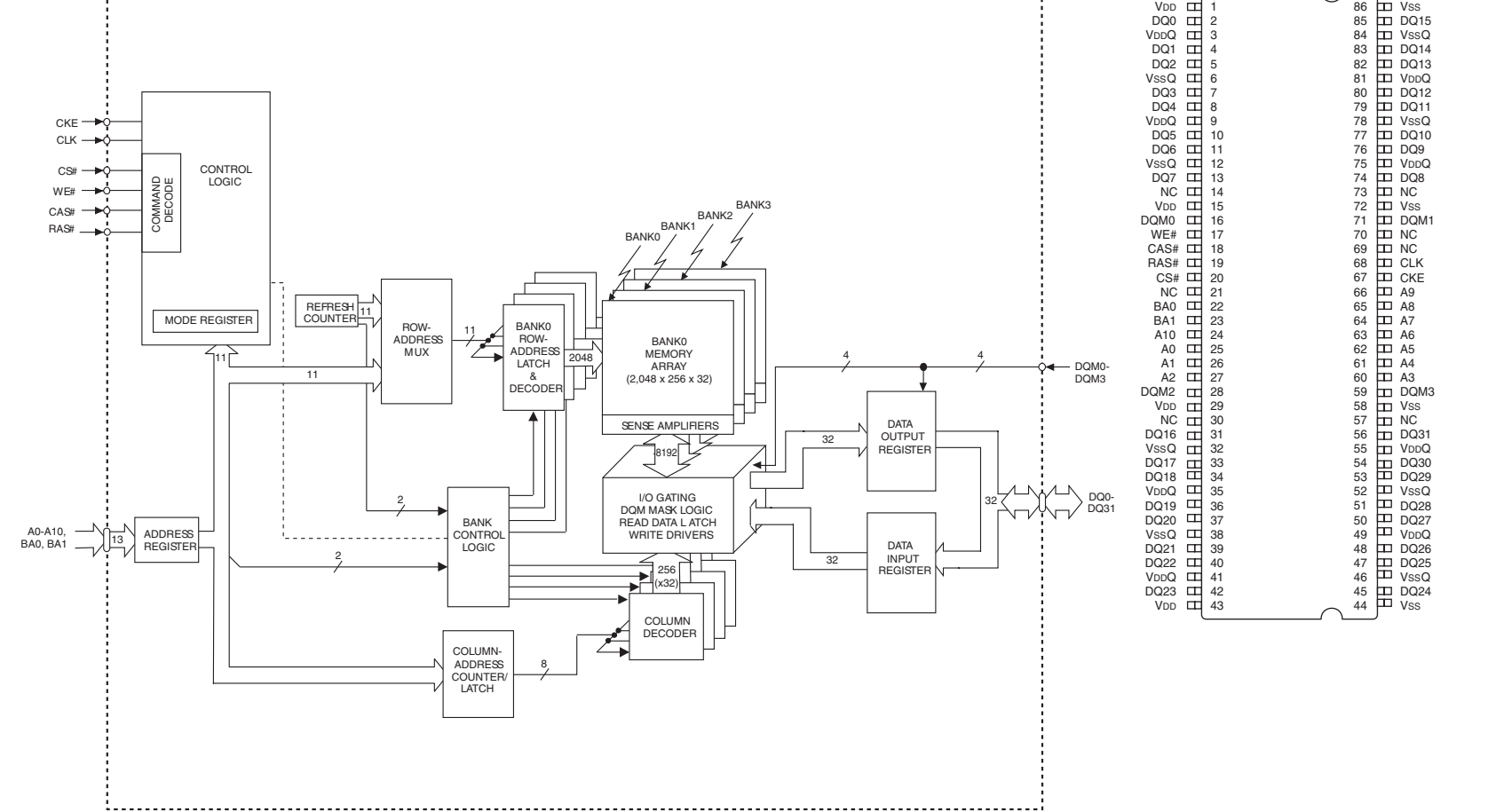
IC6: L4Q32V-75T48C
Complex Programmable Logic Device



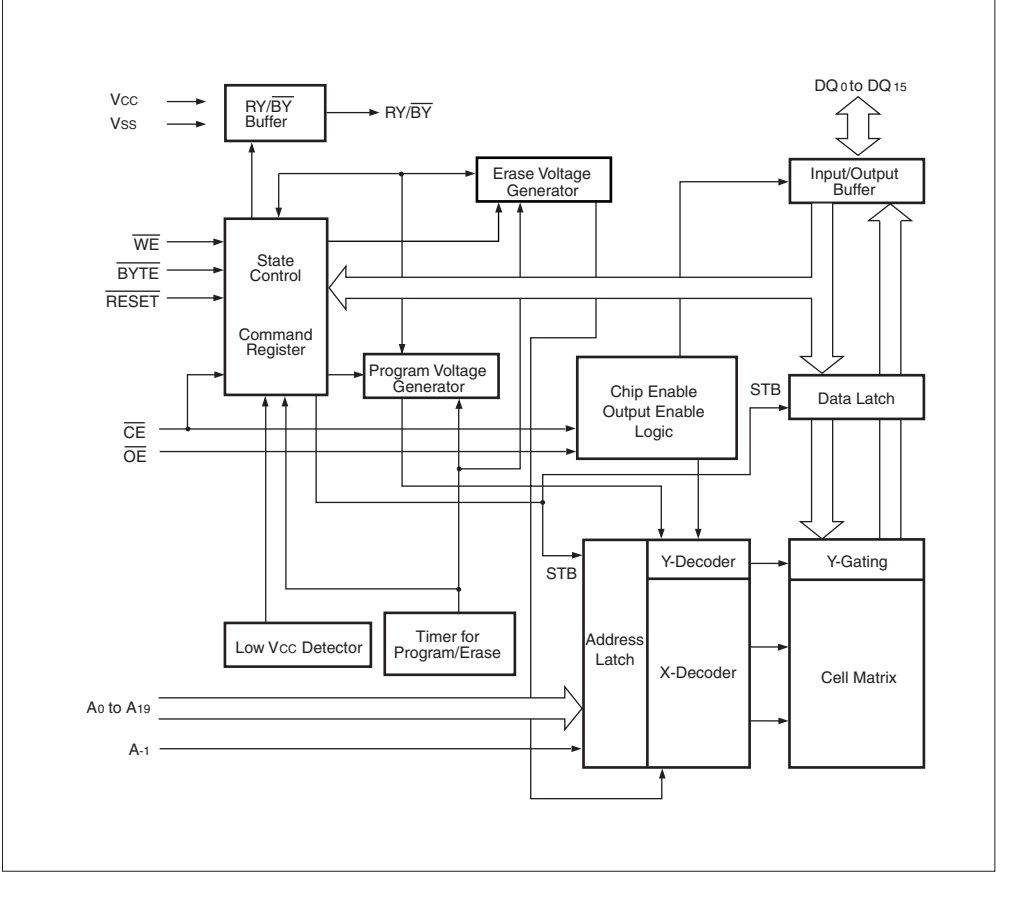
IC7, 8: TPS4310PWPR
Low-input-voltage high-output-current synchronous-buck PWM converter



IC1: MT48LC2M32B2P-6
SYNCHRONOUS DRAM

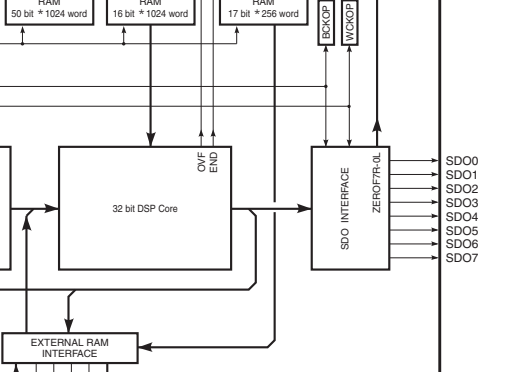
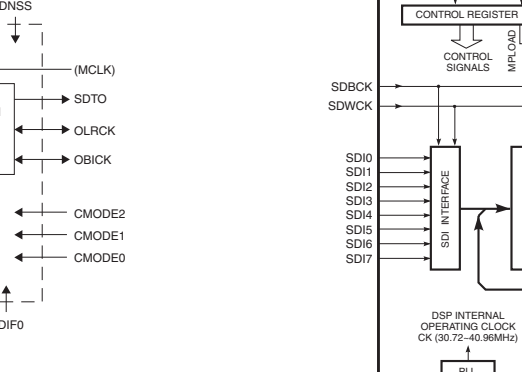
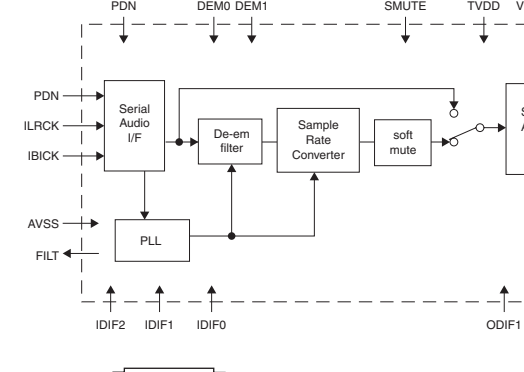
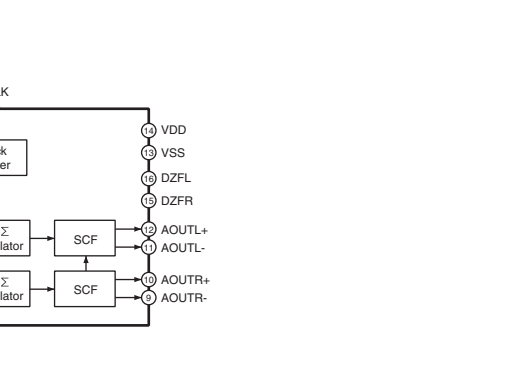
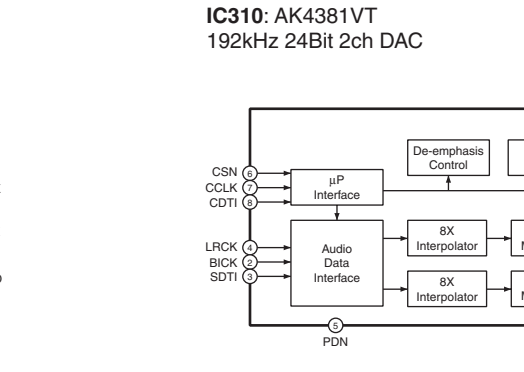
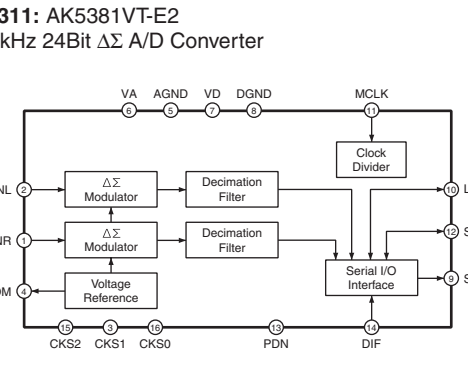
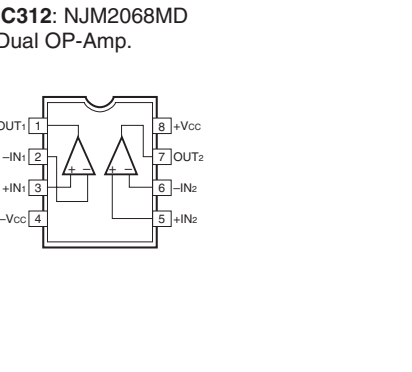
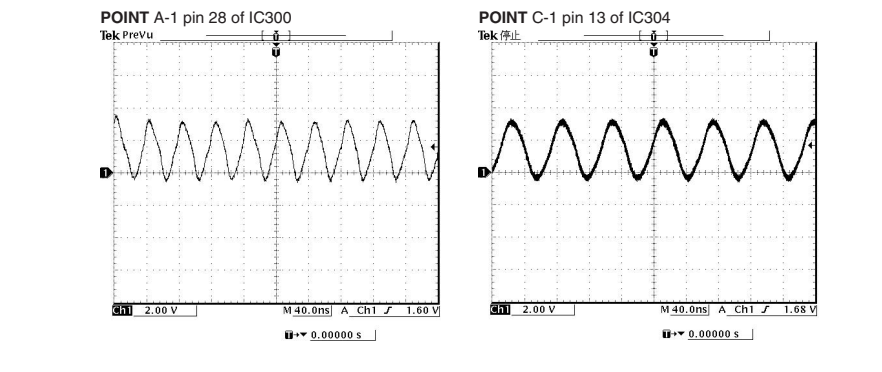
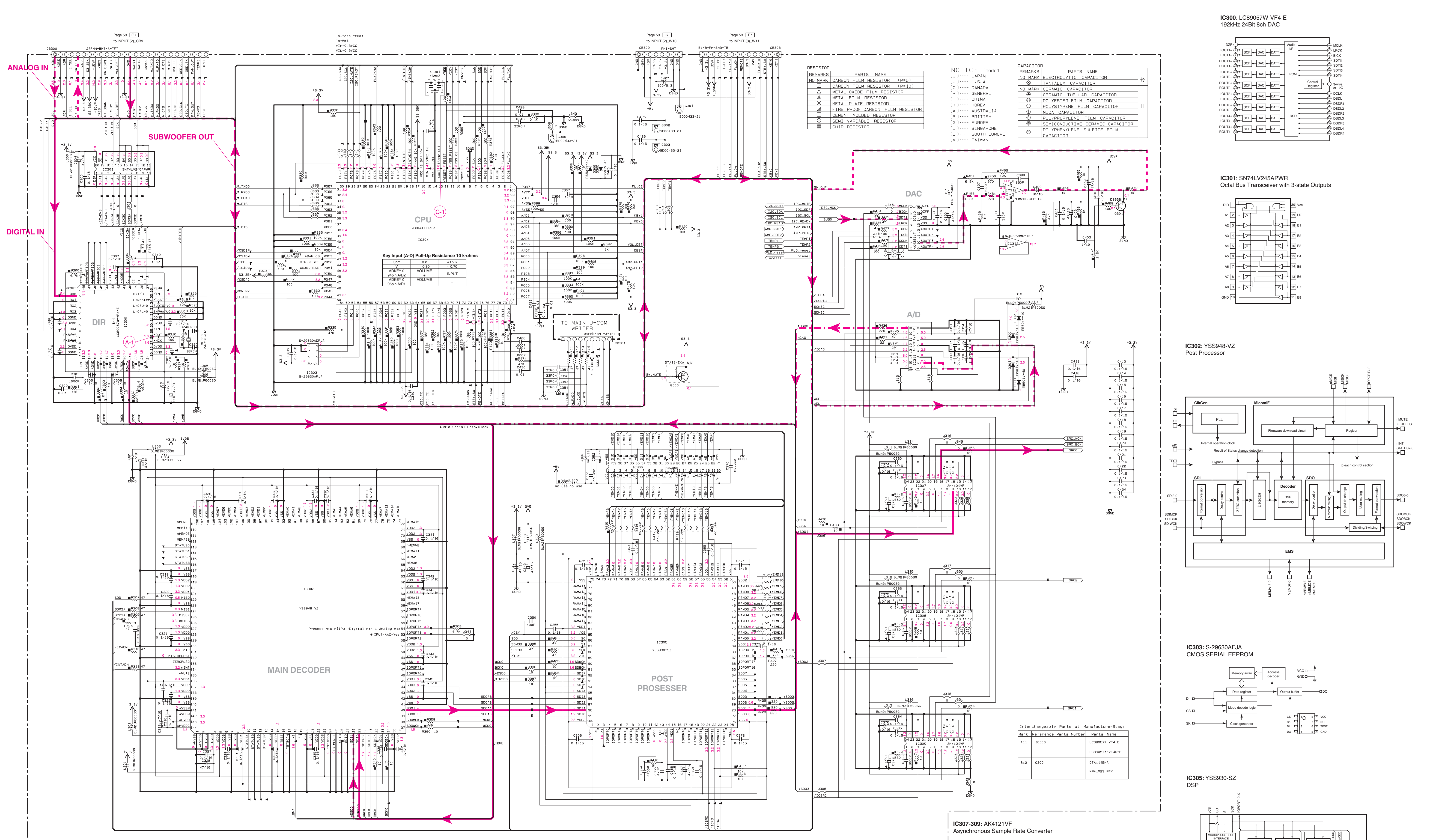


IC2: MBM29LV160BE-70
16M-bit, 3.0 V-only Flash memory



● All voltages are measured with a 10M Ω DC electronic volt meter.
● Components having special characteristics are marked with a triangle and must be replaced with parts having specifications equal to those originally installed.
● The schematic diagram is subject to change without notice.

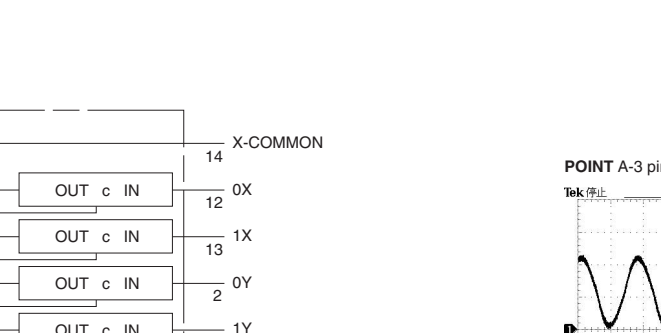
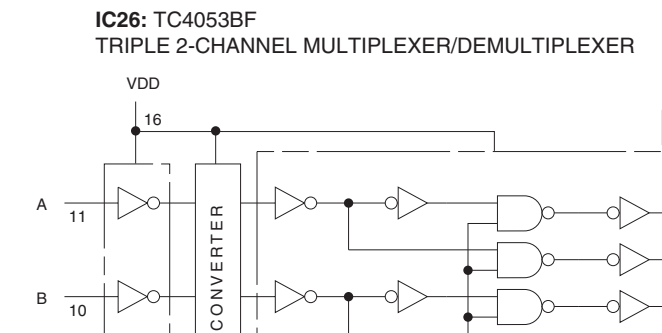
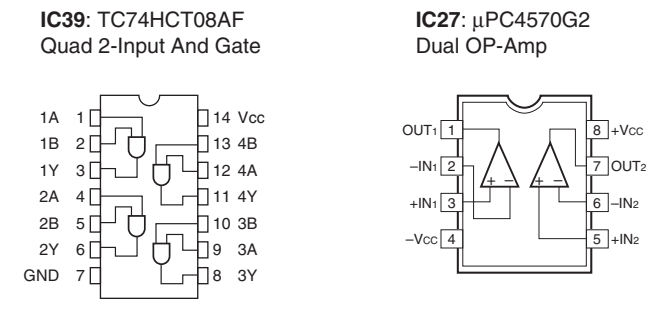
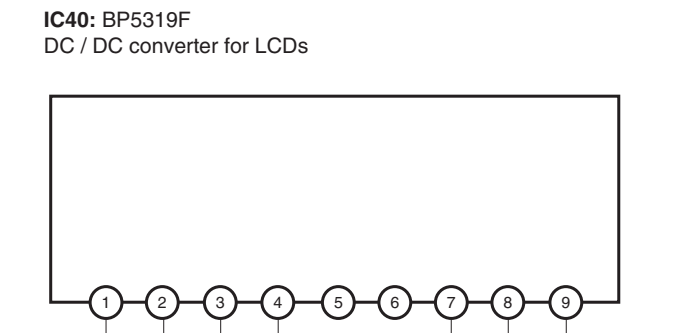
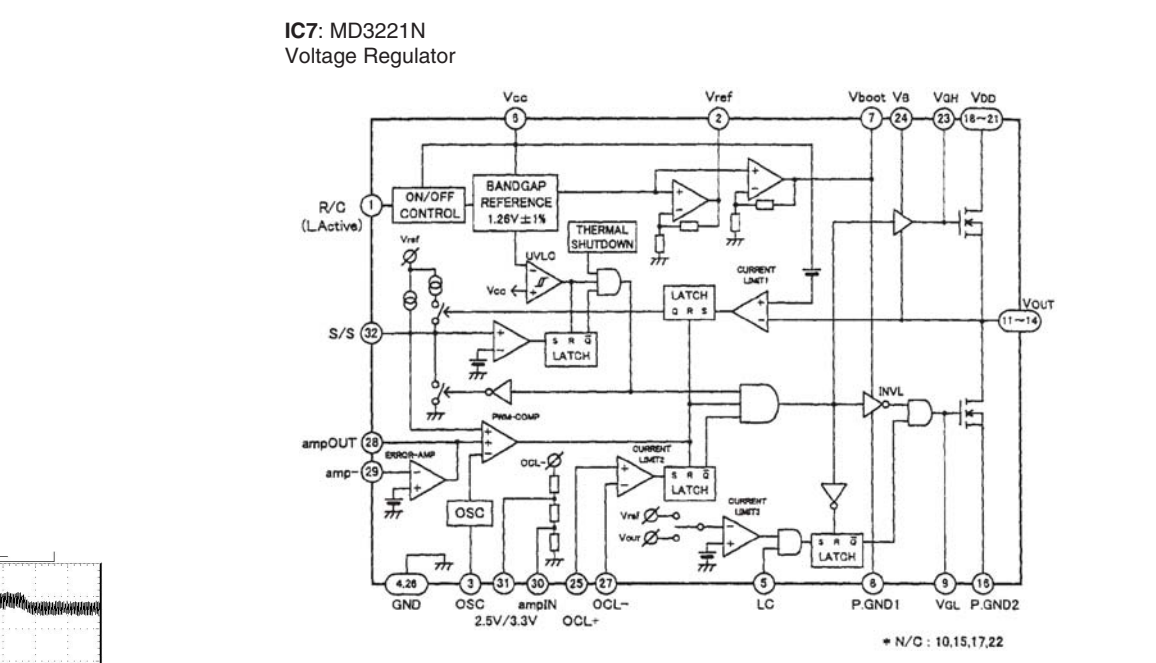
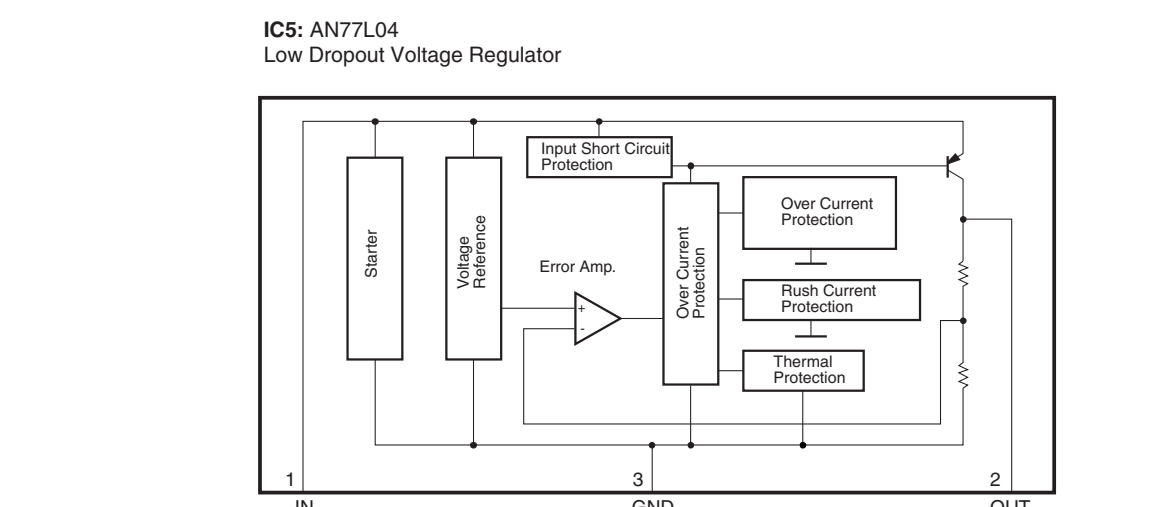
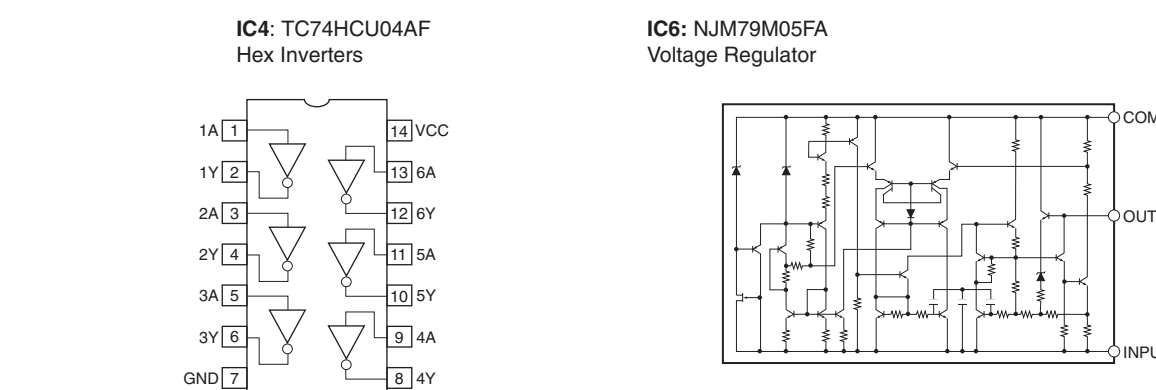
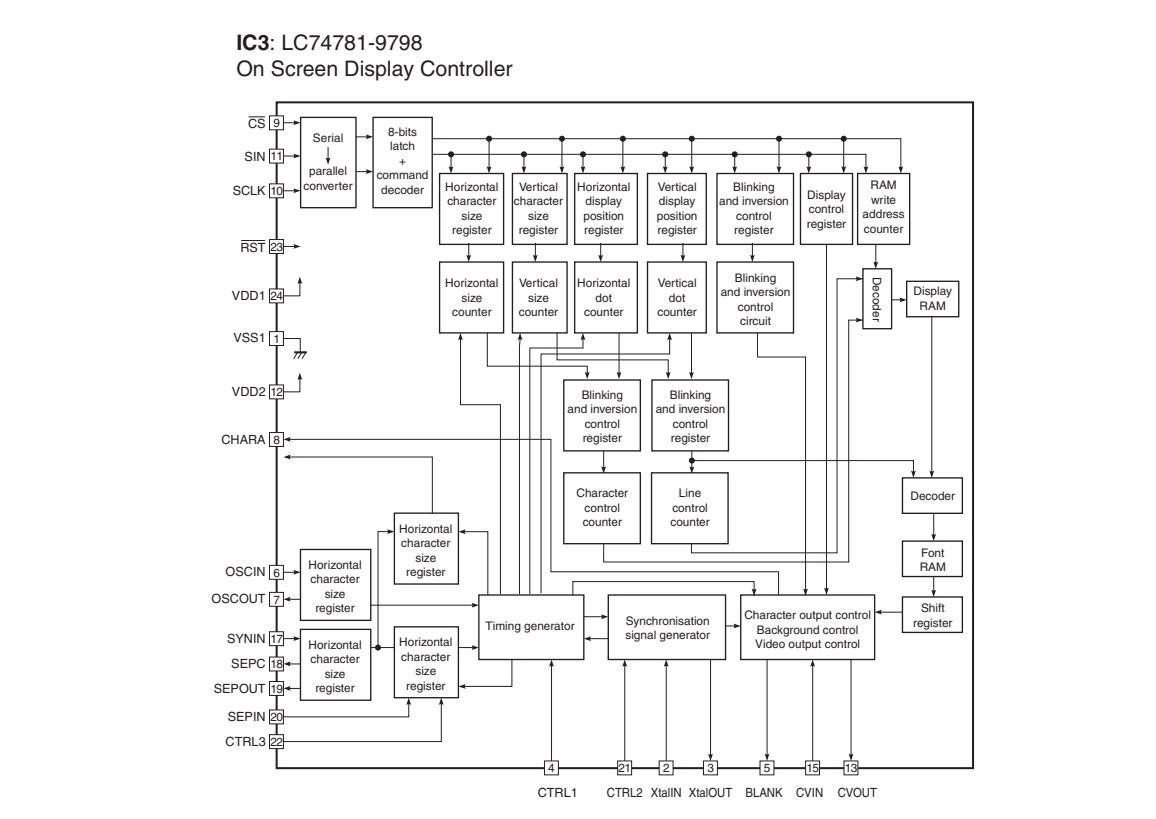
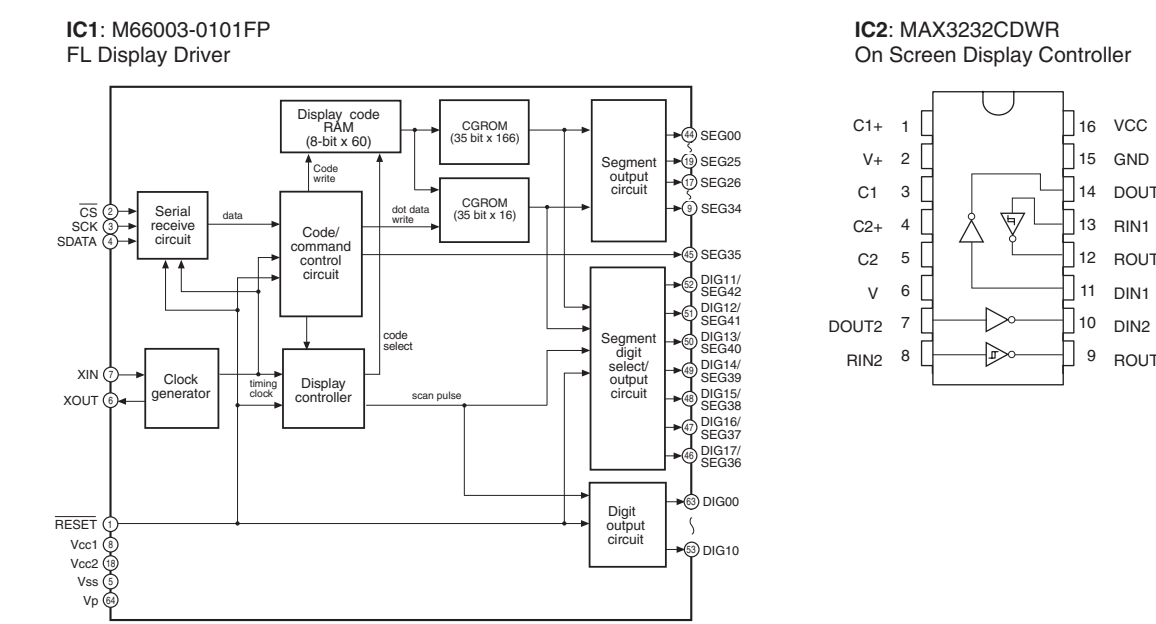
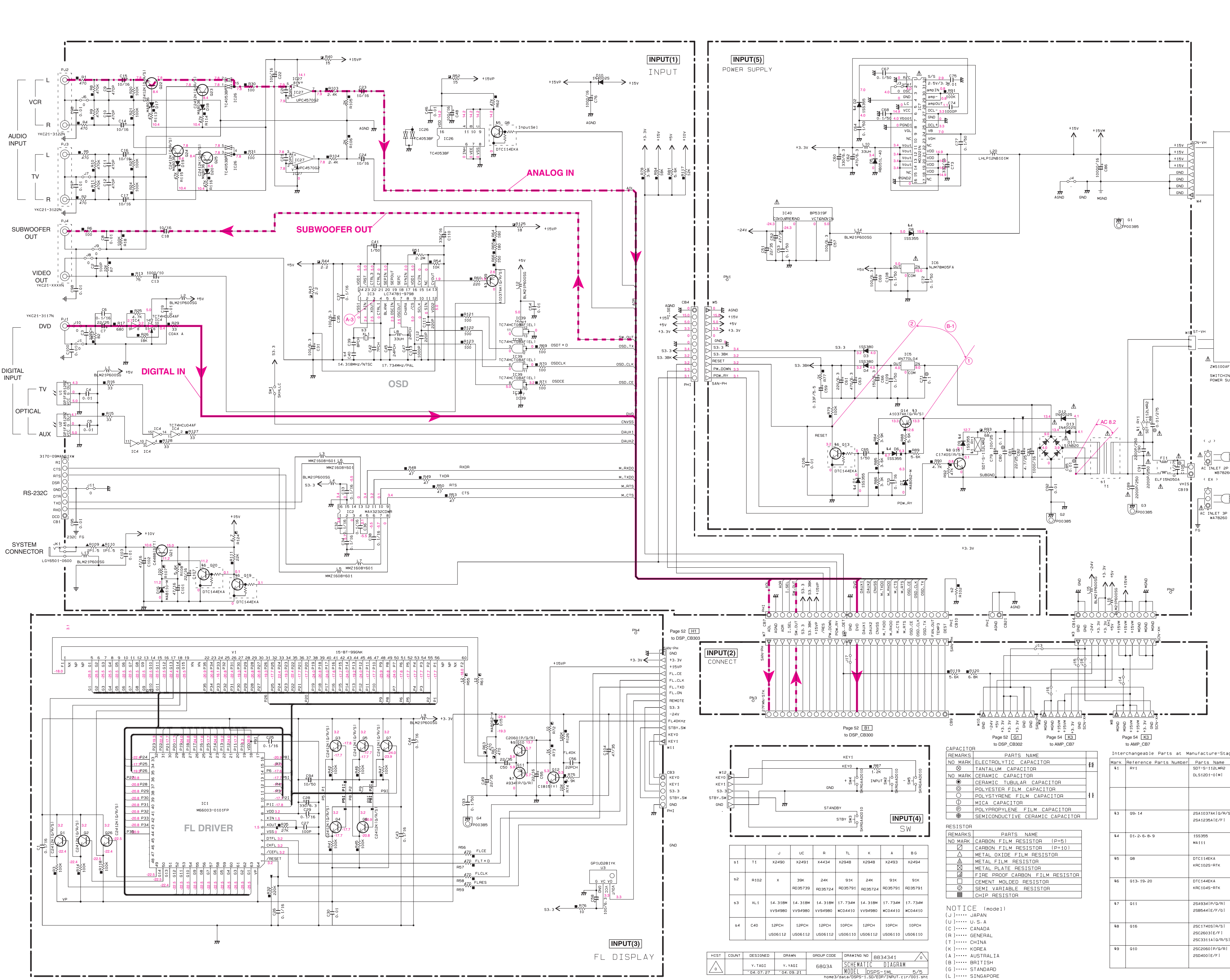
YSP-1
SCHEMATIC DIAGRAM (DSP 2/2)



★ All voltages are measured with a 10MΩ/V DC electronic volt meter.
 ★ Components having special characteristics are marked with a triangle and must be replaced with parts having specifications equal to those originally installed.
 ★ Schematic diagram is subject to change without notice.

● 電圧は、内部抵抗10MΩの電圧計で測定したものです。
 ● 印のある部品は、安全性確保部品を示しています。部品の交換が必要な場合、パーツリストに記載されている部品を使用してください。
 ● 本回路図は標準回路図です。改良のため予告なく変更することがございます。

SCHEMATIC DIAGRAM (INPUT)



CAPACITOR

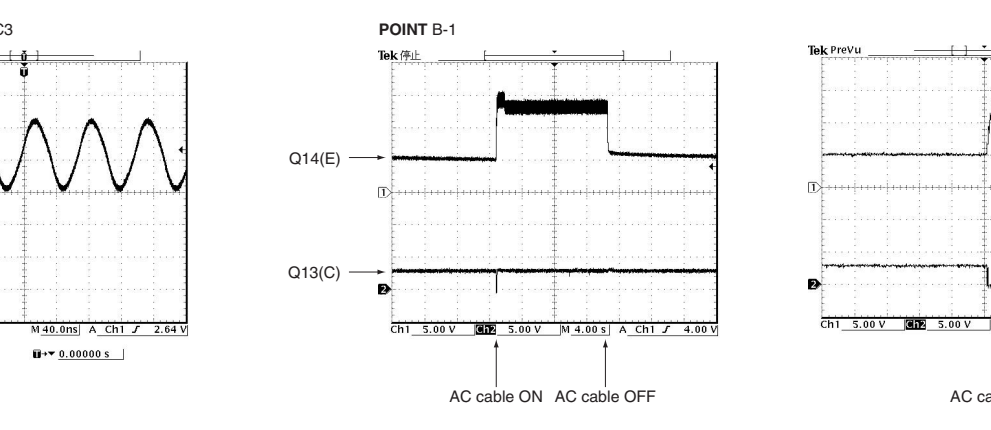
REMARKS	PARTS NAME
ND MARK	ELECTROLYTIC CAPACITOR
ND MARK	TANTALUM CAPACITOR
ND MARK	CERAMIC CAPACITOR
ND MARK	CERAMIC TUBULAR CAPACITOR
ND MARK	POLYESTER FILM CAPACITOR
ND MARK	POLYPROPYLENE FILM CAPACITOR
ND MARK	SEMICONDUCTIVE CERAMIC CAPACITOR

RESISTOR

REMARKS	PARTS NAME
ND MARK	CARBON FILM RESISTOR (P=5)
ND MARK	CARBON FILM RESISTOR (P=10)
ND MARK	METAL OXIDE FILM RESISTOR
ND MARK	METAL FILM RESISTOR
ND MARK	FIRE PROOF CARBON FILM RESISTOR
ND MARK	CEMENT MOUNTED RESISTOR
ND MARK	SEMI VARIABLE RESISTOR
ND MARK	CHIP RESISTOR

NOTICE [R00P1]

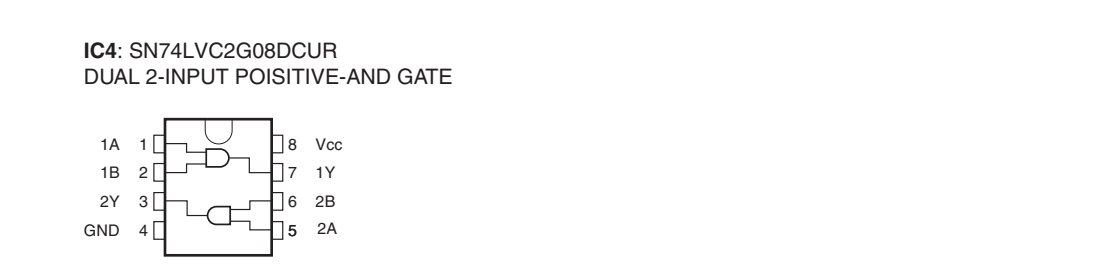
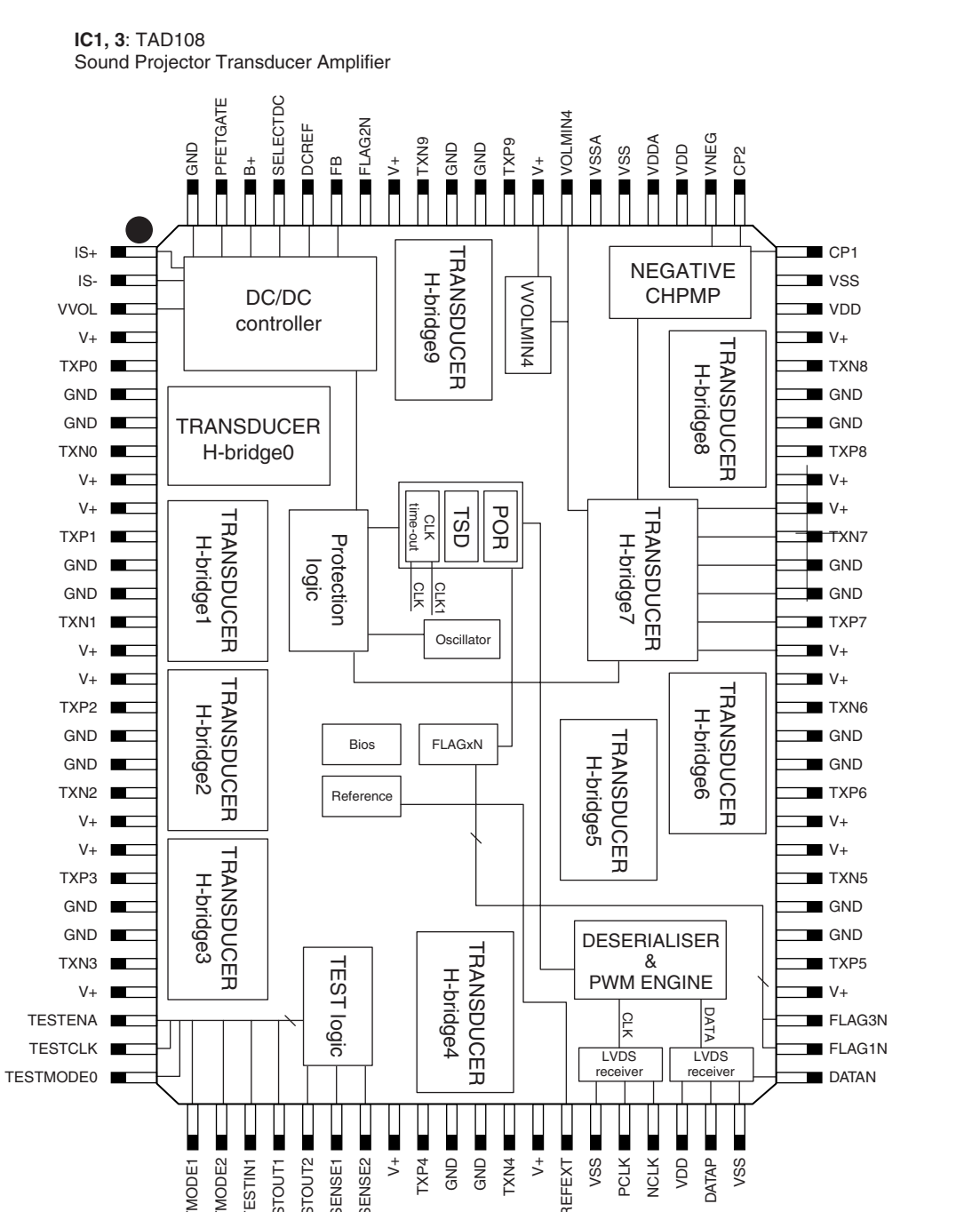
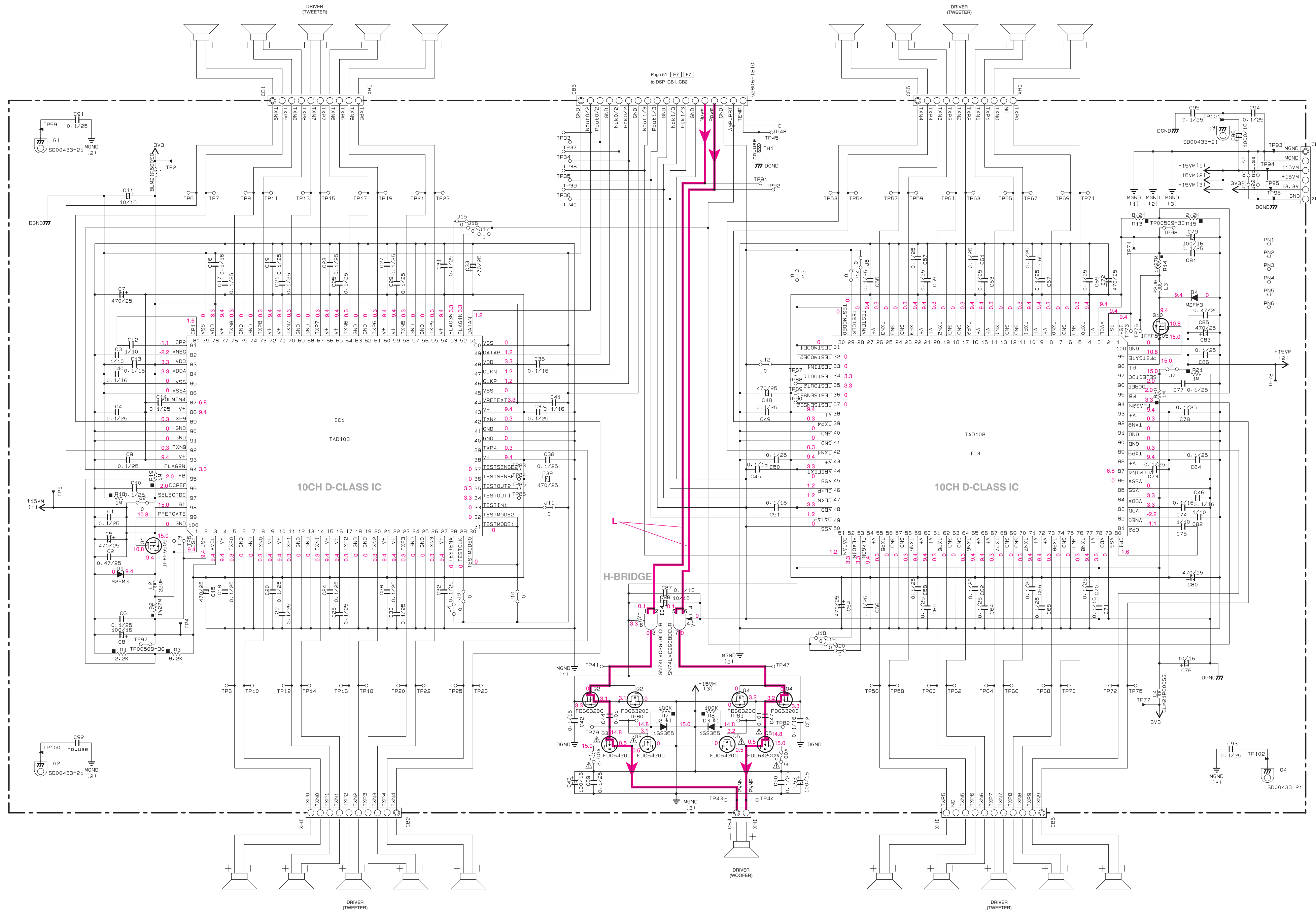
(J)..... JAPAN
(U)..... U. S. A
(C)..... CANADA
(A)..... AUSTRALIA
(T)..... CHINA
(K)..... KOREA
(I)..... INDIA
(B)..... BRITISH
(G)..... STANDARD
(L)..... SINGAPORE
(E)..... SOUTH EUROPE
(V)..... TAIWAN



★ All voltages are measured with a 10MΩ/V DC electronic volt meter.
★ Components having special characteristics are marked with a triangle, and must be replaced with parts having specifications equal to those originally installed.
★ Schematic diagram is subject to change without notice.

● 電圧は、内部抵抗10MΩの電圧計で測定したものです。
● 印のある部品は、安全性確保部品を示しています。部品の交換が必要な場合、パーツリストに記載されている部品を使用してください。
● 本回路図は標準回路図です。改良のため予告なく変更することがございます。

YSP-1
SCHEMATIC DIAGRAM (AMP)



★ All voltages are measured with a 10MΩ/V DC electronic volt meter.
 ★ Components having special characteristics are marked **T**, and must be replaced with parts having specifications equal to those originally installed.
 ★ Schematic diagram is subject to change without notice.
 ● 電圧は、内部抵抗10MΩの電圧計で測定したものです。
 ● T印のある部品は、安全性確保部品を示しています。部品の交換が必要な場合、パーツリストに記載されている部品を使用してください。
 ● 本回路図は標準回路図です。改良のため予告なく変更することがございます。

Interchangeable Parts at Manufacture-Stage

Mark	Reference Parts Number	Parts Name
kt	D2-3	1SS355
		MA111

RESISTOR

REMARKS	PARTS NAME
NO MARK	CARBON FILM RESISTOR (P=5)
□	CARBON FILM RESISTOR (P=10)
△	METAL OXIDE FILM RESISTOR
◇	METAL FILM RESISTOR
■	METAL PLATE RESISTOR
⊠	FIRE PROOF CARBON FILM RESISTOR
⊞	CEMENT MOLDED RESISTOR
⊚	SEMI VARIABLE RESISTOR
⊛	CHIP RESISTOR

NOTICE (model)

(J)..... JAPAN
 (U)..... U.S.A
 (C)..... CANADA
 (R)..... GENERAL
 (T)..... CHINA
 (K)..... KOREA
 (A)..... AUSTRALIA
 (B)..... BRITISH
 (G)..... EUROPE
 (L)..... SINGAPORE
 (E)..... SOUTH EUROPE
 (V)..... TAIWAN

CAPACITOR

REMARKS	PARTS NAME
NO MARK	ELECTROLYTIC CAPACITOR
⊗	TANTALUM CAPACITOR
NO MARK	CERAMIC CAPACITOR
●	CERAMIC TUBULAR CAPACITOR
⊙	POLYESTER FILM CAPACITOR
⊚	POLYSTYRENE FILM CAPACITOR
⊚	MICA CAPACITOR
⊚	POLYPROPYLENE FILM CAPACITOR
⊚	SEMICONDUCTIVE CERAMIC CAPACITOR
⊚	POLYBENZYLENE SULFIDE FILM CAPACITOR

PARTS LIST

■ ELECTRICAL PARTS

■ WARNING

● Components having special characteristics are marked \triangle and must be replaced with parts having specifications equal to those originally installed.

● \triangle 印のある部分は、安全確保部品を示しています。部品の交換が必要な場合、パーツリストに記載されている部品を使用してください。

● 部品価格ランクは、予告なく変更することがあります。

ABBREVIATIONS IN THIS LIST ARE AS FOLLOWS:

C.A.EL.CHP	: CHIP ALUMI.ELECTROLYTIC CAP	L.EMIT	: LIGHT EMITTING MODULE
C.CE	: CERAMIC CAP	LED.DSPLY	: LED DISPLAY
C.CE.ARRAY	: CERAMIC CAP ARRAY	LED.INFRD	: LED,INFRARED
C.CE.CHP	: CHIP CERAMIC CAP	MODUL.RF	: MODULATOR,RF
C.CE.ML	: MULTILAYER CERAMIC CAP	PHOT.CPL	: PHOTO COUPLER
C.CE.M.CHP	: CHIP MULTILAYER CERAMIC CAP	PHOT.INTR	: PHOTO INTERRUPTER
C.CE.SAFTY	: RECOGNIZED CERAMIC CAP	PHOT.RFLCT	: PHOTO REFLECTOR
C.CE.TUBLR	: CERAMIC TUBULAR CAP	PIN.TEST	: PIN,TEST POINT
C.CE.SMI	: SEMI CONDUCTIVE CERAMIC CAP	PLST.RIVET	: PLASTIC RIVET
C.EL	: ELECTROLYTIC CAP	R.ARRAY	: RESISTOR ARRAY
C.MICA	: MICA CAP	R.CAR.	: CARBON RESISTOR
C.ML.FLM	: MULTILAYER FILM CAP	R.CAR.CHP	: CHIP RESISTOR
C.MP	: METALLIZED PAPER CAP	R.CAR.FP	: FLAME PROOF CARBON RESISTOR
C.MYLAR	: MYLAR FILM CAP	R.FUS	: FUSABLE RESISTOR
C.MYLAR.ML	: MULTILAYER MYLAR FILM CAP	R.MTL.CHP	: CHIP METAL FILM RESISTOR
C.PAPER	: PAPER CAPACITOR	R.MTL.FLM	: METAL FILM RESISTOR
C.PLS	: POLYSTYRENE FILM CAP	R.MTL.OXD	: METAL OXIDE FILM RESISTOR
C.POL	: POLYESTER FILM CAP	R.MTL.PLAT	: METAL PLATE RESISTOR
C.POLY	: POLYETHYLENE FILM CAP	RSNR.CE	: CERAMIC RESONATOR
C.PP	: POLYPROPYLENE FILM CAP	RSNR.CRYS	: CRYSTAL RESONATOR
C.TNTL	: TANTALUM CAP	R.TW.CEM	: TWIN CEMENT FIXED RESISTOR
C.TNTL.CHP	: CHIP TANTALUM CAP	R.WW	: WIRE WOUND RESISTOR
C.TRIM	: TRIMMER CAP	SCR.BND.HD	: BIND HEAD B-TITE SCREW
CN	: CONNECTOR	SCR.BW.HD	: BW HEAD TAPPING SCREW
CN.BS.PIN	: CONNECTOR,BASE PIN	SCR.CUP	: CUP TITE SCREW
CN.CANNON	: CONNECTOR,CANNON	SCR.TERM	: SCREW TERMINAL
CN.DIN	: CONNECTOR,DIN	SCR.TR	: SCREW,TRANSISTOR
CN.FLAT	: CONNECTOR,FLAT CABLE	SUPRT.PCB	: SUPPORT,P.C.B.
CN.POST	: CONNECTOR,BASE POST	SURG.PRTCT	: SURGE PROTECTOR
COIL.MX.AM	: COIL,AM MIX	SW.TACT	: TACT SWITCH
COIL.AT.FM	: COIL,FM ANTENNA	SW.LEAF	: LEAF SWITCH
COIL.DT.FM	: COIL,FM DETECT	SW.LEVER	: LEVER SWITCH
COIL.MX.FM	: COIL,FM MIX	SW.MICRO	: MICRO SWITCH
COIL.OUTPT	: OUTPUT COIL	SW.PUSH	: PUSH SWITCH
DIOD.ARRAY	: DIODE ARRAY	SW.RT.ENC	: ROTARY ENCODER
DIODE.BRG	: DIODE BRIDGE	SW.RT.MTR	: ROTARY SWITCH WITH MOTOR
DIODE.CHP	: CHIP DIODE	SW.RT	: ROTARY SWITCH
DIODE.VAR	: VARACTOR DIODE	SW.SLIDE	: SLIDE SWITCH
DIOD.Z.CHP	: CHIP ZENER DIODE	TERM.SP	: SPEAKER TERMINAL
DIODE.ZENR	: ZENER DIODE	TERM.WRAP	: WRAPPING TERMINAL
DSCR.CE	: CERAMIC DISCRIMINATOR	THRMST.CHP	: CHIP THERMISTOR
FER.BEAD	: FERRITE BEADS	TR.CHP	: CHIP TRANSISTOR
FER.CORE	: FERRITE CORE	TR.DGT	: DIGITAL TRANSISTOR
FET.CHP	: CHIP FET	TR.DGT.CHP	: CHIP DIGITAL TRANSISTOR
FL.DSPLY	: FLUORESCENT DISPLAY	TRANS	: TRANSFORMER
FLTR.CE	: CERAMIC FILTER	TRANS.PULS	: PULSE TRANSFORMER
FLTR.COMB	: COMB FILTER MODULE	TRANS.PWR	: POWER TRANSFORMER ASS'Y
FLTR.LC.RF	: LC FILTER,EMI	TUNER.AM	: TUNER PACK,AM
GND.MTL	: GROUND PLATE	TUNER.FM	: TUNER PACK,FM
GND.TERM	: GROUND TERMINAL	TUNER.PK	: FRONT-ENDTUNER PACK
HOLDER.FUS	: FUSE HOLDER	VR	: ROTARY POTENTIOMETER
IC.PRTCT	: IC PROTECTOR	VR.MTR	: POTENTIOMETER WITH MOTOR
JUMPER.CN	: JUMPER CONNECTOR	VR.SW	: POTENTIOMETER WITH ROTARY SW
JUMPER.TST	: JUMPER,TEST POINT	VR.SLIDE	: SLIDE POTENTIOMETER
L.DTCT	: LIGHT DETECTING MODULE	VR.TRIM	: TRIMMER POTENTIOMETER

P.C.B. DSP & P.C.B. AMP

Schm Ref.	PART NO.	Description	Remarks	Markets	部 品 名	Rank
* %	WE218400	P. C. B.	DSP		P C B D S P	
* * CB1	WC547500	CN. BS. PIN	18P SE		F F Cコネクタ	
* * CB2	WC547500	CN. BS. PIN	18P SE		F F Cコネクタ	
* * CB3	VT389000	CN. BS. PIN	9P		ベース付ポスト	01
* * CB300	WC197700	CN. BS. PIN	27P TE		F M Nコネクタ	
* * CB301	WC195900	CN. BS. PIN	9P TE		F M Nコネクタ	
* * CB302	VT388900	CN. BS. PIN	8P TE		ベース付ポスト	01
* * CB303	WD736900	CN. BS. PIN	14P TE		ベース付ポスト	
* * C427	V9452100	C. AL. CHP	100uF 6.3V		チップ O Sケミコン	03
* * D1	VS597600	D I O D E. CHP	RB160L-40 TE25		チップダイオード	01
* * D300	VV220700	D I O D E. SHOT	RB501V-40		ショットキーダイオード	01
* * D301	VV220700	D I O D E. SHOT	RB501V-40		ショットキーダイオード	01
* * D302	VV220700	D I O D E. SHOT	RB501V-40		ショットキーダイオード	01
* * D303	VV220700	D I O D E. SHOT	RB501V-40		ショットキーダイオード	01
* * D305	VV220700	D I O D E. SHOT	RB501V-40		ショットキーダイオード	01
* * D306	VV220700	D I O D E. SHOT	RB501V-40		ショットキーダイオード	01
* * G300	WB438000	TERM. GND	M4 SD00433-21		アース端子	
* * G301	WB438000	TERM. GND	M4 SD00433-21		アース端子	
* * G302	WB438000	TERM. GND	M4 SD00433-21		アース端子	
* * G303	WB438000	TERM. GND	M4 SD00433-21		アース端子	
* * IC1	X5220B00	IC	MT48LC2M32B2P-6		メモリ IC	
* * IC2	X6210A00	IC	MBM29LV160BE-70TN		メモリ IC 16M	
* * IC5	X5731A00	IC	SN74LVC74APWR		ロジック IC	
* * IC6	X6209A00	IC	LC4032V-75TN48C		C P U / 周辺 IC	
* * IC7	X4515A00	IC	TPS54310PWPR		電源 IC	06
* * IC8	X4515A00	IC	TPS54310PWPR		電源 IC	06
* * IC9	X5724A00	IC	TPS2034D POWER IC		電源 IC	
* * IC300	X3566A00	IC	LC89057W-VF4-E		IC	05
* * IC301	X3693A00	IC	SN74LV245APWR TRAN		ロジック IC T S S O P	
* * IC302	X4570A00	IC	YSS948-V		IC デジタル	09
* * IC303	X5798A00	IC	S-29630AFJA EEPROM		メモリ IC	
* * IC304	X3601A00	IC	M30626FHPFP	unwritten	IC C P U	10
* * IC305	X3567A00	IC	YSS930-SZ		IC	08
* * IC307	X5799A00	IC	AK4121VF		S R C	
* * IC308	X5799A00	IC	AK4121VF		S R C	
* * IC309	X5799A00	IC	AK4121VF		S R C	
* * IC310	X3783A00	IC	AK4381VT		IC	05
* * IC311	X5219A00	IC	AK5381VT-E2		A / Dコンバータ	05
* * IC312	X3505A00	IC	NJM2068MD-TE2		アンプ IC S O P	02
* * L4	V6246100	C. CHP	NFM3DCC223R1H3L		エミフィル チップ	01
* * Q300	VV655000	TR. DGT	DTA114EKA		デジタルトランジスタ	01
* * Q301	VZ725900	TR	2SD1938F S, T		トランジスタ	
* * XL1	V9071800	RESONATOR	100MHz DS0751SV		水晶発振器	
* * XL300	V3625700	RSNR. CRYST	24.576MHz		水晶振動子	03
* * XL301	WB440500	RSNR. CE	CSTCE16M0V53-R0		セラミック発振子	01
<p>% : IC3 (TMS320C6713BGDP) and IC4 (TAC8256) can not be supplied. When IC3 and IC4 are failures, please exchange DSP P.C.B. (WE218400). % : IC3 (TMS320C6713BGDP) 及び IC4 (TAC8256) はパーツ供給しません。 IC3 及び IC4 が故障の場合は DSP P.C.B. (WE218400) を交換して下さい。</p>						
* %	WE218300	P. C. B.	AMP		P C B A M P	
* * CB1	VL845400	CN. BS. PIN	10P		ベースツキポスト	01
* * CB2	VL845400	CN. BS. PIN	10P		ベースツキポスト	01

* New Parts * 新規部品

P.C.B. AMP & P.C.B. INPUT

Schm Ref.	PART NO.	Description	Remarks	Markets	部 品 名	Rank	
*	CB3	WA521800	CN. BS. PIN	18P TE		F F C コネクタ	
	CB4	LB918020	CN. BS. PIN	2P		ベース付ポスト	01
	CB5	VL845500	CN. BS. PIN	11P TE		ベースツキポスト	01
	CB6	VL845500	CN. BS. PIN	11P TE		ベースツキポスト	01
	CB7	VL845000	CN. BS. PIN	6P		ベース付ポスト	01
	C5	UR848470	C. EL	470uF 25V		ケミコン	01
	C7	UR848470	C. EL	470uF 25V		ケミコン	01
*	C8	WE208900	C. OS	100uF 16V		OSコン	
	C11	UR837100	C. EL	10uF 16V		ケミコン	01
	C15	UR848470	C. EL	470uF 25V		ケミコン	01
	C33	UR848470	C. EL	470uF 25V		ケミコン	01
	C39	UR848470	C. EL	470uF 25V		ケミコン	01
*	C43	WE208900	C. OS	100uF 16V		OSコン	
	C48	UR848470	C. EL	470uF 25V		ケミコン	01
*	C53	WE208900	C. OS	100uF 16V		OSコン	
	C54	UR848470	C. EL	470uF 25V		ケミコン	01
	C72	UR848470	C. EL	470uF 25V		ケミコン	01
	C76	UR837100	C. EL	10uF 16V		ケミコン	01
*	C79	WE208900	C. OS	100uF 16V		OSコン	
	C80	UR848470	C. EL	470uF 25V		ケミコン	01
	C83	UR848470	C. EL	470uF 25V		ケミコン	01
	C88	UR837100	C. EL	10uF 16V		ケミコン	01
	C96	UR839100	C. EL	1000uF 16V		ケミコン	01
*	D1	WD475700	D10DE. CHP	M2FM3		チップダイオード	
	D2	VT332900	D10DE	1SS355		ダイオード	01
	D3	VT332900	D10DE	1SS355		ダイオード	01
*	D4	WD475700	D10DE. CHP	M2FM3		チップダイオード	
*	F1	WE635100	FUSE	2A		ヒューズ	
*	F2	WE635100	FUSE	2A		ヒューズ	
	G1	WB438000	TERM. GND	M4 SD00433-21		アース端子	
	G2	WB438000	TERM. GND	M4 SD00433-21		アース端子	
	G3	WB438000	TERM. GND	M4 SD00433-21		アース端子	
	G4	WB438000	TERM. GND	M4 SD00433-21		アース端子	
*	IC1	X5736A00	IC	TAD108		IC	
*	IC3	X5736A00	IC	TAD108		IC	
*	IC4	X4119A00	IC	SN74LVC2G08DCUR		ロジックIC	01
*	Q1	WD671300	FET	IRFR5505		FET	
*	Q2	WD671600	FET	FDG6320C		FET	
*	Q3	WD671700	FET	FDC6420C		FET	
*	Q4	WD671600	FET	FDG6320C		FET	
*	Q5	WD671700	FET	FDC6420C		FET	
*	Q10	WD671300	FET	IRFR5505		FET	
*		WE218500	P. C. B.	INPUT	J	PCBインプット	
*		WE218600	P. C. B.	INPUT	UC	PCBインプット	
*		WE218700	P. C. B.	INPUT	R	PCBインプット	
*		WE218800	P. C. B.	INPUT	TL	PCBインプット	
*		WE218900	P. C. B.	INPUT	K	PCBインプット	
*		WE219000	P. C. B.	INPUT	A	PCBインプット	
*		WE219100	P. C. B.	INPUT	BG	PCBインプット	
	CB1	V6509500	SOCKET	9P SE 3170		コネクタースOCKET	04

* New Parts * 新規部品

P.C.B. INPUT

Schm Ref.	PART NO.	Description	Remarks	Markets	部 品 名	Rank
CB3	VB390100	CN. BS. PIN	5P		ベースピン	01
CB4	VB390700	CN. BS. PIN	11P		コネクタベースポスト	01
CB7	VB390800	CN. BS. PIN	12P		コネクタベースポスト	01
CB9	V6313500	CN. BS. PIN	27P SE		F M N コネクター	
* CB10	VF283300	CN. BS. PIN	15P		コネクタベースポスト	01
* CB14	VL845600	CN. BS. PIN	12P		ベースツキポスト	01
CB19	VG879900	CN. BS. PIN	2P		ベースピン	01
C7	UR847220	C. EL	22uF 25V		ケミコン	01
C13	UR829100	C. EL	1000uF 10V		ケミコン	01
C14	UR837100	C. EL	10uF 16V		ケミコン	01
C15	UR837100	C. EL	10uF 16V		ケミコン	01
C16	UR837100	C. EL	10uF 16V		ケミコン	01
C17	UR837100	C. EL	10uF 16V		ケミコン	01
C18	UR837100	C. EL	10uF 16V		ケミコン	01
C22	UR838100	C. EL	100uF 16V		ケミコン	01
C23	UR837100	C. EL	10uF 16V		ケミコン	01
C24	UR837100	C. EL	10uF 16V		ケミコン	01
C28	UR818330	C. EL	330uF 6.3V		ケミコン	01
C31	UR818100	C. EL	100uF 6.3V		ケミコン	01
C35	UR818100	C. EL	100uF 6.3V		ケミコン	01
C41	UR866100	C. EL	1uF 50V		ケミコン	01
C48	UR838100	C. EL	100uF 16V		ケミコン	01
C49	UR857220	C. EL	22uF 35V		ケミコン	01
C50	UR857220	C. EL	22uF 35V		ケミコン	01
C51	UR857220	C. EL	22uF 35V		ケミコン	01
C52	UR857470	C. EL	47uF 35V		ケミコン	01
C55	UR837220	C. EL	22uF 16V		ケミコン	01
C57	UR818100	C. EL	100uF 6.3V		ケミコン	01
C58	UR818100	C. EL	100uF 6.3V		ケミコン	01
C59	WB165500	C. EL	0.33F 5.5V		ゴールドキャパシタ	
C60	UR818330	C. EL	330uF 6.3V		ケミコン	01
C61	UR818220	C. EL	220uF 6.3V		ケミコン	01
C62	UR818470	C. EL	470uF 6.3V		ケミコン	01
C63	UR818470	C. EL	470uF 6.3V		ケミコン	01
C65	UR866100	C. EL	1uF 50V		ケミコン	01
C66	V4749000	C. EL	150uF 6.3V		ケミコン	
C69	UR818100	C. EL	100uF 6.3V		ケミコン	01
C71	UA655100	C. MYLAR	0.1uF 50V		マイラーコン	01
C73	UR838330	C. EL	330uF 16V		ケミコン	01
C76	UR839100	C. EL	1000uF 16V		ケミコン	01
C79	UR848100	C. EL	100uF 25V		ケミコン	01
C80	UA655100	C. MYLAR	0.1uF 50V		マイラーコン	01
C81	UR847220	C. EL	22uF 25V		ケミコン	01
C82	UR846470	C. EL	4.7uF 25V		ケミコン	01
C83	UR839100	C. EL	1000uF 16V		ケミコン	01
C85	UA654100	C. MYLAR	0.01uF 50V		マイラーコン	01
* C86	WD657900	C. EL	10000uF 16V		ケミコン	
△ C88	V6185300	C. CE. SAFTY	0.01uF 275V		規格認定コン	
△ C89	V6146600	C. CE. SAFTY	2200pF 250V		規格認定コン	
△ C90	V6146600	C. CE. SAFTY	2200pF 250V		規格認定コン	
△ C91	V6146600	C. CE. SAFTY	2200pF 250V		規格認定コン	
C94	UR867100	C. EL	10uF 50V		ケミコン	01
C101	UR837470	C. EL	47uF 16V		ケミコン	01

* New Parts * 新規部品

P.C.B. INPUT

Schm Ref.	PART NO.	Description	Remarks	Markets	部 品 名	Rank
C102	UR837470	C. EL	47uF 16V		ケミコン	01
C104	UR857470	C. EL	47uF 35V		ケミコン	01
* △ C105	WE256400	C. CE. SAFTY	0.1uF 275V		規格認定コン	
C107	UR837220	C. EL	22uF 16V		ケミコン	01
C110	UR838330	C. EL	330uF 16V		ケミコン	01
D1	VT332900	D1ODE	1SS355		ダイオード	01
D2	VT332900	D1ODE	1SS355		ダイオード	01
D3	VV833200	D1ODE	1SS380		ダイオード	01
D4	VV833200	D1ODE	1SS380		ダイオード	01
D5	V6267600	D1ODE	RB051L-40		ダイオード	01
D6	VT332900	D1ODE	1SS355		ダイオード	01
D7	VU993400	D1ODE. ZENR	MA8062-M 6.2V		ツェナーダイオード	01
D8	VT332900	D1ODE	1SS355		ダイオード	01
D9	VT332900	D1ODE	1SS355		ダイオード	01
D10	VV307700	D1ODE	1N4002S		ダイオード	01
D11	VR253700	D1ODE. BRG	S1NB20 1A 200V		D I ブリッジ X 4	02
△ D12	VV307700	D1ODE	1N4002S		ダイオード	01
△ D13	VV307700	D1ODE	1N4002S		ダイオード	01
D15	VU993400	D1ODE. ZENR	MA8062-M 6.2V		ツェナーダイオード	01
D16	VU995800	D1ODE. ZENR	MA8110-M 11.0V		ツェナーダイオード	
* D17	VU991000	D1ODE. ZENR	MA8036 3.6V		ツェナーダイオード	
* D18	VU991000	D1ODE. ZENR	MA8036 3.6V		ツェナーダイオード	
* D19	VU991000	D1ODE. ZENR	MA8036 3.6V		ツェナーダイオード	
* D20	VU991000	D1ODE. ZENR	MA8036 3.6V		ツェナーダイオード	
IC1	X2874A00	IC	M66003-0101FP FLD		アンプ IC	08
* IC2	X5359A00	IC	MAX3232CDWR		ロジック IC	
IC3	XZ060A00	IC	LC74781-9798		IC SDIP	05
IC4	XD660A00	IC	TC74HCU04AF-TP1		IC	01
* IC5	X6124A00	IC	AN77L04		電源 IC	
△ IC6	XJ604A00	IC	NJM78M05FA		IC	02
△ IC7	X3839A00	IC	MD3221N DC/DC		電源 IC	07
IC26	XB738A00	IC	TC4053BF MULTI-PLX		IC	02
IC27	XF291A00	IC	uPC4570G2		IC	03
IC39	XZ012A00	IC	TC74HCT08AF(EL)		ロジック IC SOP	01
* △ IC40	X6125A00	IC	BP5319F		DC-DCコンバータ	
JK1	VJ726800	JACK. MNI			モノラルミニジャック	01
* PJ1	WE252200	JACK. PIN	YKC21-3117N		ピンジャック 1 P	
* PJ2	VV031600	JACK. PIN	YKC21-3122N		ピンジャック 2 P	02
* PJ3	VV031600	JACK. PIN	YKC21-3122N		ピンジャック 2 P	02
* PJ4	WE457700	JACK. PIN	YKC21-XXXXN		ピンジャック 2 P	
Q1	VV556400	TR	2SC2412K Q,R,S		トランジスタ	01
Q2	VV556400	TR	2SC2412K Q,R,S		トランジスタ	01
Q3	VV556400	TR	2SC2412K Q,R,S		トランジスタ	01
Q4	VV556400	TR	2SC2412K Q,R,S		トランジスタ	01
Q5	VV556400	TR	2SC2412K Q,R,S		トランジスタ	01
Q6	VV556400	TR	2SC2412K Q,R,S		トランジスタ	01
Q7	VV556400	TR	2SC2412K Q,R,S		トランジスタ	01
Q8	VV655400	TR. DGT	DTC114EKA		デジタルトランジスタ	01
Q9	VV556500	TR	2SA1037K Q,R,S		トランジスタ	01
Q10	iC206010	TR	2SC2060 P,Q,R		トランジスタ	01
Q11	iA093410	TR	2SA934 P,Q,R		トランジスタ	01
Q12	iC181510	TR	2SC1815 Y		トランジスタ 2 S C	01
Q13	VV655700	TR. DGT	DTC144EKA		デジタルトランジスタ	01

* New Parts * 新規部品

P.C.B. INPUT

Schm Ref.	PART NO.	Description	Remarks	Markets	部 品 名	Rank
Q14	VV556500	TR	2SA1037K Q, R, S		トランジスタ	01
Q16	iC174020	TR	2SC1740S QRS		トランジスタ	01
Q19	VV655700	TR. DGT	DTC144EKA		デジタルトランジスタ	01
Q20	VV655700	TR. DGT	DTC144EKA		デジタルトランジスタ	01
Q21	VP872700	TR	2SC4488 S, T		トランジスタ	01
Q22	VV556400	TR	2SC2412K Q, R, S		トランジスタ	01
Q23	VV556400	TR	2SC2412K Q, R, S		トランジスタ	01
Q24	VV556400	TR	2SC2412K Q, R, S		トランジスタ	01
Q25	VV556400	TR	2SC2412K Q, R, S		トランジスタ	01
Q26	VV556400	TR	2SC2412K Q, R, S		トランジスタ	01
R40	HV754150	R. CAR. FP	15Ω 1/4W		不燃化カーボン抵抗	01
R43	HV753220	R. CAR. FP	2.2Ω 1/4W		不燃化カーボン抵抗	01
R44	HV753220	R. CAR. FP	2.2Ω 1/4W		不燃化カーボン抵抗	01
R52	HV754150	R. CAR. FP	15Ω 1/4W		不燃化カーボン抵抗	01
R55	HV754120	R. CAR. FP	12Ω 1/4W		不燃化カーボン抵抗	01
R61	HV754120	R. CAR. FP	12Ω 1/4W		不燃化カーボン抵抗	01
R63	HV755470	R. CAR. FP	470Ω 1/4W		不燃化カーボン抵抗	01
R67	HV755470	R. CAR. FP	470Ω 1/4W		不燃化カーボン抵抗	01
R72	HV754100	R. CAR. FP	10Ω 1/4W		不燃化カーボン抵抗	01
R93	HV754680	R. CAR. FP	68Ω 1/4W		不燃化カーボン抵抗	01
R107	HV755100	R. CAR. FP	100Ω 1/4W		不燃化カーボン抵抗	01
R108	HV756560	R. CAR. FP	5.6KΩ 1/4W		不燃化カーボン抵抗	01
R109	WB784200	R. MTL. OXD	1.5Ω 1W		金属被膜抵抗	
R110	WB784200	R. MTL. OXD	1.5Ω 1W		金属被膜抵抗	
R124	HV753470	R. CAR. FP	4.7Ω 1/4W		不燃化カーボン抵抗	01
R125	HV754180	R. CAR. FP	18Ω 1/4W		不燃化カーボン抵抗	01
△ RY1	V6017400	RELAY	DC SDT-S-112LMR2		リレー 12V	04
SW1	VV011000	SW. TACT	SKHLLC		タクト SW	01
SW2	WD483100	SW. TACT	SKRGAAD010		タクト SW	01
SW3	WD483100	SW. TACT	SKRGAAD010		タクト SW	01
SW4	WD483100	SW. TACT	SKRGAAD010		タクト SW	01
SW5	WD483100	SW. TACT	SKRGAAD010		タクト SW	01
△ T1	X2490A00	TRANS. PWR		J	サブトランス	05
* △ T1	X2491A00	TRANS. PWR		UC	サブトランス	
* △ T1	X4434A00	TRANS. PWR		R	サブトランス	
* △ T1	X2948A00	TRANS. PWR		TKL	サブトランス	
* △ T1	X2493A00	TRANS. PWR		A	サブトランス	
△ T1	X2494A00	TRANS. PWR		BG	サブトランス	05
U1	WB547900	L. DTCT	1P GP1FA513RZ		光ファイバ受信器	03
U2	WB547900	L. DTCT	1P GP1FA513RZ		光ファイバ受信器	03
U3	WB437900	L. DTCT	GP1UD281YK		リモコン受光ユニット	04
* V1	WE204600	FL. DSPLY	15-BT-99GNKF		蛍光表示管	
XL1	VV949800	RSNR. CRYST	14.31818MHz	JUCRK	水晶振動子	03
* XL1	WC044100	RSNR. CRYST	17.734475MHz	TABGL	水晶振動子	
	EP600140	SCR. BND. HD	3x10 MFZN2BL		バインドBタイトネジ	01
	WC986900	SHEET	BL		シート/FL	01

* New Parts * 新規部品

Chip Parts

Schm Ref.	PART NO.	Description	Remarks	Markets	部 品 名	Rank	
	UF018100	C. EL. CHP	100uF	6.3V		チップケミコン	01
	UF027220	C. EL. CHP	22uF	10V		チップケミコン	01
	UF037100	C. EL. CHP	10uF	16V		チップケミコン	01
	UF037470	C. EL. CHP	47uF	16V		チップケミコン	01
	UF066220	C. EL. CHP	2.2uF	50V		チップケミコン	01
	UF066470	C. EL. CHP	4.7uF	50V		チップケミコン	01
	US035100	C. CE. M. CHP	0.1uF	16V		チップセラコン	01
	US060700	C. CE. CHP	7pF	50V		チップセラコン	01
	US060800	C. CE. CHP	8pF	50V		チップセラコン	01
	US061100	C. CE. M. CHP	10pF	50V		チップセラコン	01
	US061120	C. CE. CHP	12pF	50V		チップセラ (CH)	01
	US061180	C. CE. CHP	18pF	50V		チップセラコン	01
	US061220	C. CE. M. CHP	22pF	50V		チップセラコン	01
	US061240	C. CE. CHP	24pF	50V		チップセラ (CH)	01
	US061330	C. CE. M. CHP	33pF	50V		チップセラコン	01
	US062100	C. CE. M. CHP	100pF	50V		チップセラコン	01
	US062220	C. CE. CHP	220pF	50V		チップセラコン	01
	US062390	C. CE. CHP	390P	50V		チップセラ (SL)	01
	US062470	C. CE. M. CHP	470pF	50V		チップセラコン	01
	US062560	C. CE. CHP	560pF	50V		チップセラ (SL)	01
	US063100	C. CE. M. CHP	1000pF	50V		チップセラコン	01
	US063390	C. CE. CHP	3900pF	50V		チップセラコン	01
	US063470	C. CE. CHP	4700pF	50V		チップセラコン	01
	US063560	C. CE. CHP	5600pF	50V		チップセラコン	01
	US064100	C. CE. M. CHP	0.01uF	50V		チップセラコン	01
	US065100	C. CE. M. CHP	0.1uF	50V		チップセラ F	
	US126100	C. CE. CHP	1uF	10V		チップセラ F	01
	US135100	C. CE. CHP	0.1uF	16V		チップセラコン	01
	US145100	C. CE. CHP	0.1uF	25V		チップセラ (F)	01
	RD350000	R. CHP	0Ω	1/16W		チップ抵抗	01
	RD354100	R. CHP	10Ω	1/16W		チップ抵抗	01
	RD354220	R. CHP	22Ω	1/16W		チップ抵抗	01
	RD354270	R. CHP	27Ω	1/16W		チップ抵抗	01
	RD354330	R. CHP	33Ω	1/16W		チップ抵抗	01
	RD354470	R. CHP	47Ω	1/16W		チップ抵抗	01
	RD354750	R. CHP	75Ω	1/16W		チップ抵抗	01
	RD354820	R. CHP	82Ω	1/16W		チップ抵抗	01
	RD355100	R. CHP	100Ω	1/16W		チップ抵抗	01
	RD355150	R. CHP	150Ω	1/16W		チップ抵抗	01
	RD355180	R. CHP	180Ω	1/16W		チップ抵抗	01
	RD355220	R. CHP	220Ω	1/16W		チップ抵抗	01
	RD355270	R. CHP	270Ω	1/16W		チップ抵抗	01
	RD355330	R. CHP	330Ω	1/16W		チップ抵抗	01
	RD355470	R. CHP	470Ω	1/16W		チップ抵抗	01
	RD355560	R. CHP	560Ω	1/16W		チップ抵抗	01
	RD355680	R. CHP	680Ω	1/16W		チップ抵抗	01
	RD356100	R. CHP	1KΩ	1/16W		チップ抵抗	01
	RD356120	R. CHP	1.2KΩ	1/16W		チップ抵抗	01
	RD356200	R. CHP	2KΩ	1/16W		チップ抵抗	01
	RD356220	R. CHP	2.2KΩ	1/16W		チップ抵抗	01
	RD356240	R. CHP	2.4KΩ	1/16W		チップ抵抗	01
	RD356270	R. CHP	2.7KΩ	1/16W		チップ抵抗	01
	RD356330	R. CHP	3.3KΩ	1/16W		チップ抵抗	01

* New Parts * 新規部品

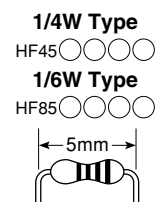
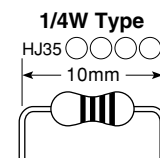
Chip Parts

Schm Ref.	PART NO.	Description	Remarks	Markets	部 品 名	Rank	
	RD356360	R. CHP	3.6K Ω	1/16W		チップ抵抗	01
	RD356390	R. CHP	3.9K Ω	1/16W		チップ抵抗	01
	RD356470	R. CHP	4.7K Ω	1/16W		チップ抵抗	01
	RD356510	R. CHP	5.1K Ω	1/16W		チップ抵抗	01
	RD356560	R. CHP	5.6K Ω	1/16W		チップ抵抗	01
	RD356680	R. CHP	6.8K Ω	1/16W		チップ抵抗	01
	RD356820	R. CHP	8.2K Ω	1/16W		チップ抵抗	01
	RD357100	R. CHP	10K Ω	1/16W		チップ抵抗	01
	RD357120	R. CHP	12K Ω	1/16W		チップ抵抗	01
	RD357180	R. CHP	18K Ω	1/16W		チップ抵抗	01
	RD357220	R. CHP	22K Ω	1/16W		チップ抵抗	01
	RD357240	R. CHP	24K Ω	1/16W		チップ抵抗	01
	RD357270	R. CHP	27K Ω	1/16W		チップ抵抗	01
	RD357390	R. CHP	39K Ω	1/16W		チップ抵抗	01
	RD357470	R. CHP	47K Ω	1/16W		チップ抵抗	01
	RD357910	R. CHP	91K Ω	1/16W		チップ抵抗	01
	RD358100	R. CHP	100K Ω	1/16W		チップ抵抗	01
	RD358120	R. CHP	120K Ω	1/16W		チップ抵抗	01
	RD358220	R. CHP	220K Ω	1/16W		チップ抵抗	01
	RD359100	R. CHP	1M Ω	1/16W		チップ抵抗	01
	RD359220	R. CHP	2.2M Ω	1/16W		チップ抵抗	01
	RF356680	R. CHP	6.8K Ω	1/16W		チップ抵抗	01
	RF357100	R. CHP	10K Ω	1/16W		チップ抵抗	01
*	WD450500	R. CAR. CHP	27 Ω	1W		チップ抵抗	01

* New Parts * 新規部品

Parts List for Carbon Resistors

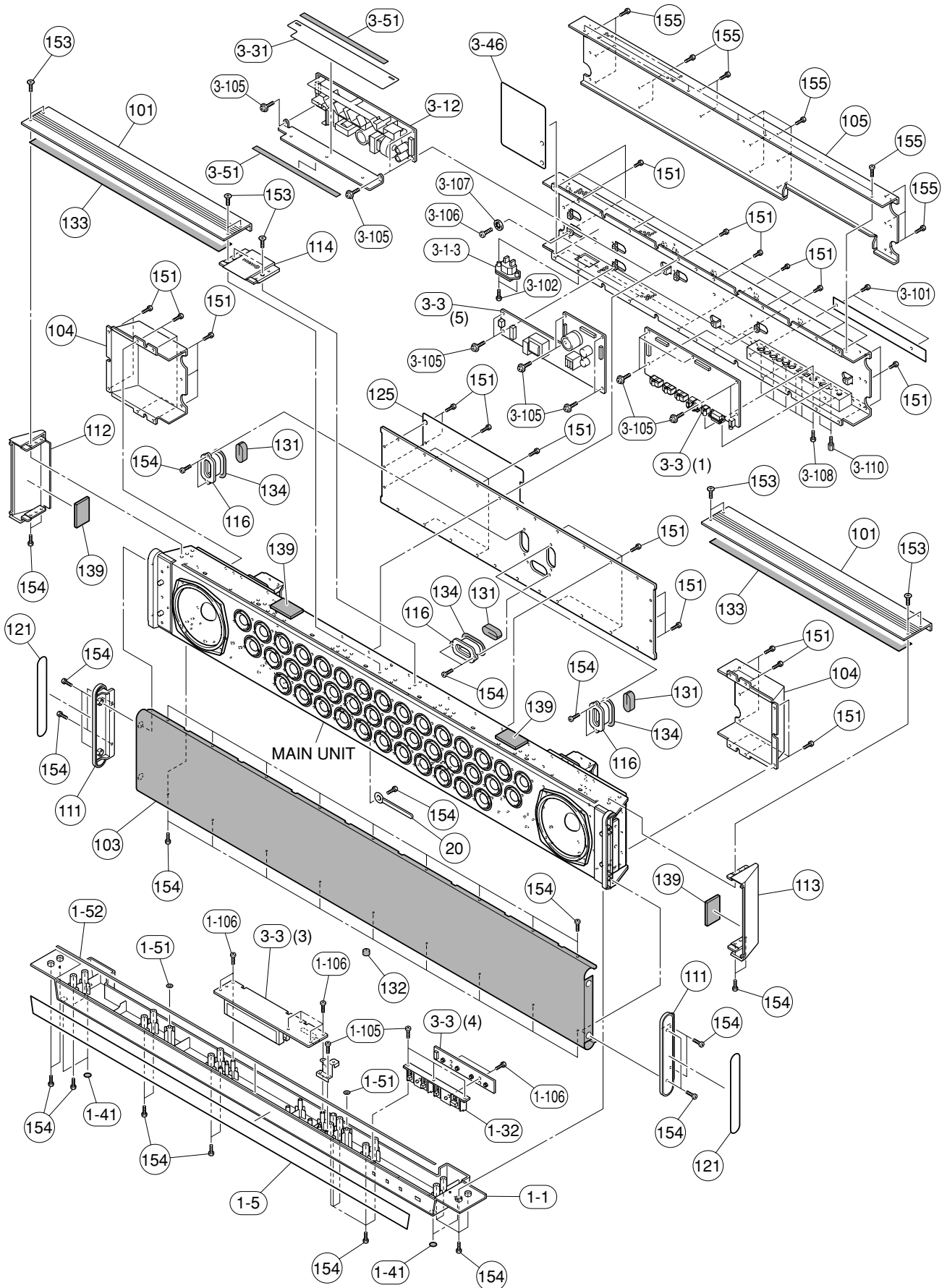
Value	1/4W Type Part No.	1/6W Type Part No.	Value	1/4W Type Part No.	1/6W Type Part No.
1.0 Ω	HJ35 3100	HF85 3100	10 kΩ	HF45 7100	HF45 7100
1.8 Ω	HJ35 3180	*	11 kΩ	HF45 7110	HF45 7110
2.2 Ω	HJ35 3220	HF85 3220	12 kΩ	HJ35 7120	HF85 7120
3.3 Ω	HJ35 3330	HF85 3330	13 kΩ	HF45 7130	HF45 7130
4.7 Ω	HJ35 3470	HF85 3470	15 kΩ	HF45 7150	HF45 7150
5.6 Ω	HJ35 3560	HF85 3560	18 kΩ	HF45 7180	HF45 7180
10 Ω	HF45 4100	HF45 4100	22 kΩ	HF45 7220	HF45 7220
15 Ω	HJ35 4150	HF85 4150	24 kΩ	HF45 7240	HF45 7240
22 Ω	HF45 4220	HF45 4220	27 kΩ	HJ35 7270	HF85 7270
27 Ω	HJ35 4270	HF85 4270	30 kΩ	HF45 7300	HF45 7300
33 Ω	HF45 4330	HF45 4330	33 kΩ	HF45 7330	HF45 7330
39 Ω	HJ35 4470	HF85 4390	36 kΩ	HF45 7360	HF45 7360
47 Ω	HF45 4470	HF45 4470	39 kΩ	HF45 7390	HF45 7390
56 Ω	HF45 4560	HF45 4560	47 kΩ	HF45 7470	HF45 7470
68 Ω	HF45 4680	HF45 4680	51 kΩ	HF45 7510	HF45 7510
75 Ω	HF45 4750	HF45 4750	56 kΩ	HF45 7560	HF45 7560
82 Ω	HF45 4820	HF45 4820	62 kΩ	HF45 7620	HF45 7620
91 Ω	HF45 4910	HF45 4910	68 kΩ	HF45 7680	HF45 7680
100 Ω	HF45 5100	HF45 5100	82 kΩ	HF45 7820	HF45 7820
110 Ω	HJ35 5110	HF85 5110	91 kΩ	HF45 7910	HF45 7910
120 Ω	HF45 5120	HF45 5120	100 kΩ	HF45 8100	HF45 8100
150 Ω	HF45 5150	HF45 5150	110 kΩ	HF45 8110	HF45 8110
160 Ω	HJ35 5160	*	120 kΩ	HF45 8120	HF45 8120
180 Ω	HF45 5180	HF45 5180	150 kΩ	HF45 8150	HF45 8150
200 Ω	HF45 5200	HF45 5200	180 kΩ	HF45 8180	HF45 8180
220 Ω	HF45 5220	HF45 5220	220 kΩ	HJ35 8220	HF85 8220
270 Ω	HF45 5270	HF45 5270	270 kΩ	HF45 8270	HF45 8270
330 Ω	HF45 5330	HF45 5330	300 kΩ	HF45 8300	HF45 8300
390 Ω	HF45 5390	HF45 5390	330 kΩ	HF45 8330	HF45 8330
430 Ω	HF45 5430	HF45 5430	390 kΩ	HJ35 8390	HF85 8390
470 Ω	HF45 5470	HF45 5470	470 kΩ	HF45 8470	HF45 8470
510 Ω	HF45 5510	HF45 5510	560 kΩ	HJ35 8560	HF85 8560
560 Ω	HF45 5560	HF45 5560	680 kΩ	HJ35 8680	HF85 8680
680 Ω	HF45 5680	HF45 5680	820 kΩ	HJ35 8820	HF85 8820
820 Ω	HF45 5820	HF45 5820	1.0 MΩ	HF45 9100	HF45 9100
910 Ω	HF45 5910	HF45 5910	1.2 MΩ	HJ35 9120	*
1.0 kΩ	HF45 6100	HF45 6100	1.5 MΩ	HJ35 9150	HF85 9150
1.2 kΩ	HF45 6120	HF45 6120	1.8 MΩ	HJ35 9180	HF85 9180
1.5 kΩ	HF45 6150	HF45 6150	2.2 MΩ	HJ35 9220	HF85 9220
1.8 kΩ	HF45 6180	HF45 6180	3.3 MΩ	HJ35 9330	HF85 9330
2.0 kΩ	HJ35 6200	HF85 6200	3.9 MΩ	HJ35 9390	*
2.2 kΩ	HF45 6220	HF45 6220	4.7 MΩ	HJ35 9470	HF85 9470
2.4 kΩ	HJ35 6240	HF85 6240			
2.7 kΩ	HF45 6270	HF45 6270			
3.0 kΩ	HF45 6300	HF45 6300			
3.3 kΩ	HF45 6330	HF45 6330			
3.6 kΩ	HJ35 6360	HF85 6360			
3.9 kΩ	HF45 6390	HF45 6390			
4.7 kΩ	HF45 6470	HF45 6470			
5.1 kΩ	HF45 6510	HF45 6510			
5.6 kΩ	HF45 6560	HF45 6560			
6.8 kΩ	HF45 6680	HF45 6680			
8.2 kΩ	HF45 6820	HF45 6820			
9.1 kΩ	HF45 6910	HF45 6910			



* : Not available

YSP-1

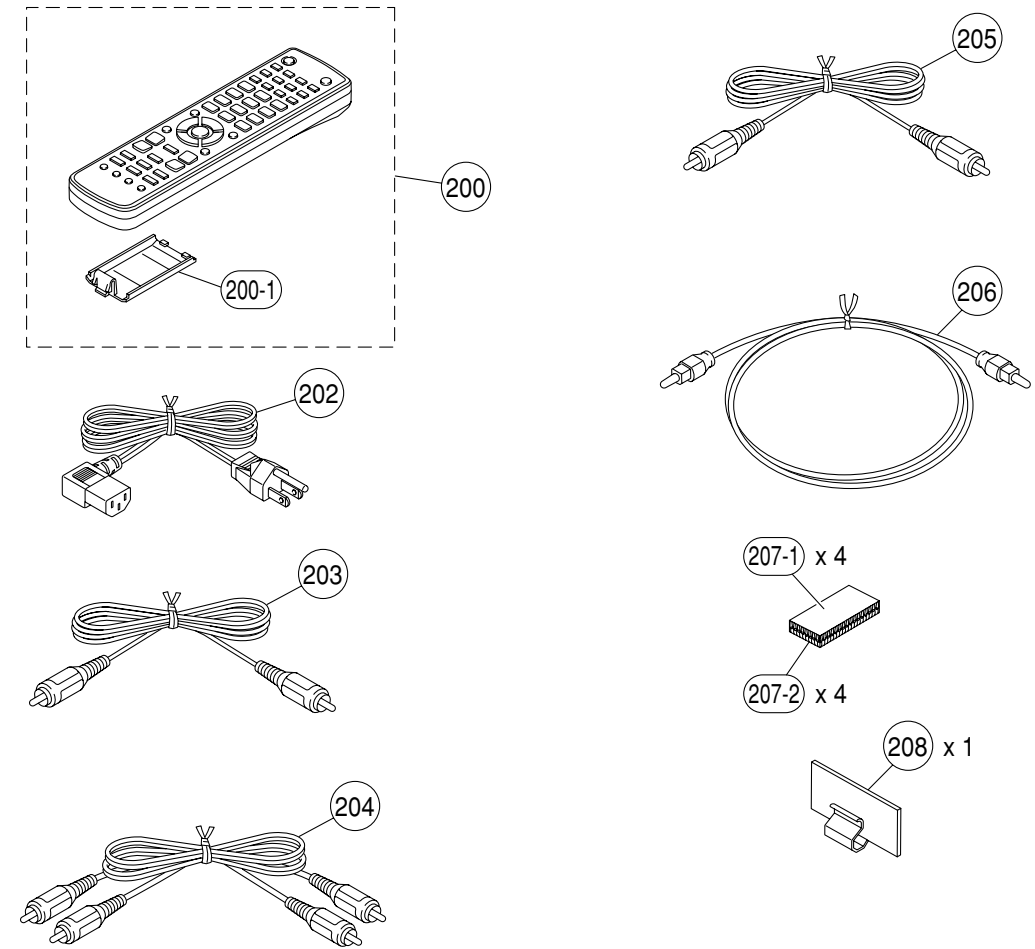
EXPLODED VIEW



MECHANICAL PARTS

Schm Ref.	PART NO.	Description	Remarks	Markets	部品名	Rank
* 1-1	WD832600	FRONT PANEL			フロントパネル	
* 1-5	WD832700	WINDOW/SHEET		J	ウインドウ/シート	
* 1-5	WD705600	WINDOW/SHEET		UCRTKABGL	ウインドウ/シート	
* 1-32	WD833200	BUTTON			ボタン	
* 1-41	WE203500	NONSKID PAD	M10x2 1pc		滑止パッド	
* 1-51	WE237300	PACKING E			パッキン E	01
* 1-52	WE237300	PACKING A	510x4x1		パッキン A	01
* 1-105	EP630220	BIND HEAD P-TIGHT SCREW	3x8 MFZN2BL		バインドPタイトネジ	01
* 1-106	VB770200	PW HEAD P-TIGHT SCREW	3x10-8 MFC2		PWヘッドPタイトネジ	01
* 3-1-3	WB782600	AC INLET 2P	R-30190(26)	J	ACインレット 2P	
* 3-1-3	WA782600	AC INLET	R-301(B18)	UCRTKABGL	ACインレット	
* 3-3	WE218500	P.C.B. ASS'Y	INPUT	J	PCBインプット	
* 3-3	WE218600	P.C.B. ASS'Y	INPUT	UC	PCBインプット	
* 3-3	WE218700	P.C.B. ASS'Y	INPUT	R	PCBインプット	
* 3-3	WE218800	P.C.B. ASS'Y	INPUT	TL	PCBインプット	
* 3-3	WE218900	P.C.B. ASS'Y	INPUT	K	PCBインプット	
* 3-3	WE219000	P.C.B. ASS'Y	INPUT	A	PCBインプット	
* 3-3	WE219100	P.C.B. ASS'Y	INPUT	BG	PCBインプット	
* 3-12	WE235500	SWITCHING POWER SUPPLY	ZWS100AF-15		スイッチング電源	
* 3-31	WE237100	SHEET/BARRIER			シート/バリヤ	
* 3-46	WE468200	SHEET/RU/B		JUCR	シート/RU/B	
* 3-51	WE514400	PACKING K	180x10x1		パッキン K	01
* 3-101	WE200500	SCREW TP #B +DISH	3x6 MFN13BL		Bタイト+DISH	
* 3-102	EP600250	BIND HEAD B-TIGHT SCREW	3x8 MFZN2Y		バインドBタイトネジ	01
* 3-105	VT669300	PW HEAD B-TIGHT SCREW	3x8-8 MFC2		PWヘッドBタイトネジ	01
* 3-106	V2728500	BIND HEAD S-TIGHT SCREW	4x7 MFZN2BL	TKABGL	バインドSタイトネジ	01
* 3-107	ET800020	TOOTHED LOCK WASHER	4.0 MFZN2Y	TKABGL	歯付座金内歯形	01
* 3-108	VN413300	BIND HEAD BONDING B-T. SCREW	3x8 MFZN2BL		ボンディングBタイトネジ	01
* 3-110	V6509600	JACK SCREW	SS6-A47511848		ジャックスクリュー	01
* 20	CB040540	BINDING TIE	S-72B		束線止め	01
* 101	WD836300	TOP PANEL			トップパネル	08
* 103	WD831100	FRONT GRILLE			フロントグリル	
* 104	WD831500	COVER L/R			カバーL/R	07
* 105	WD836400	REAR PANEL			リヤパネル	09
* 111	WD832800	PLATE SIDE			プレート サイド	02
* 112	WD832900	SIDE COVER L			サイドカバーL	
* 113	WD833000	SIDE COVER R			サイドカバーR	
* 114	WE158800	PLATE/TOP			プレート/TOP	02
* 116	WE235300	STOPPER			ストッパー	
* 121	WE159600	PLATE/COVER			プレート/COVER	
* 125	WE468100	SHEET/RU/A			シート/RU/A	03
* 131	WE236900	PAD/L			パッド/L	
* 132	WE237000	PAD/S			パッド/S	
* 133	WE510900	PACKING TOP	420x25x1		パッキン トップ	
* 134	WE235600	PACKING D	130x3x1		パッキン D	01
* 139	WE802700	PACKING FT	30x20x4		パッキン FT	
* 151	VN413300	BIND HEAD BONDING B-T. SCREW	3x8 MFZN2BL		ボンディングBタイトネジ	01
* 153	WE803300	FLAT HEAD B-TIGHT SCREW	3x10 MFZN2BL		皿Bタイトネジ	
* 154	EP600250	BIND HEAD B-TIGHT SCREW	3x8 MFZN2Y		バインドBタイトネジ	01
* 155	WE200500	SCREW TP #B +DISH	3x6 MFN13BL		Bタイト+DISH	

* New Parts * 新規部品

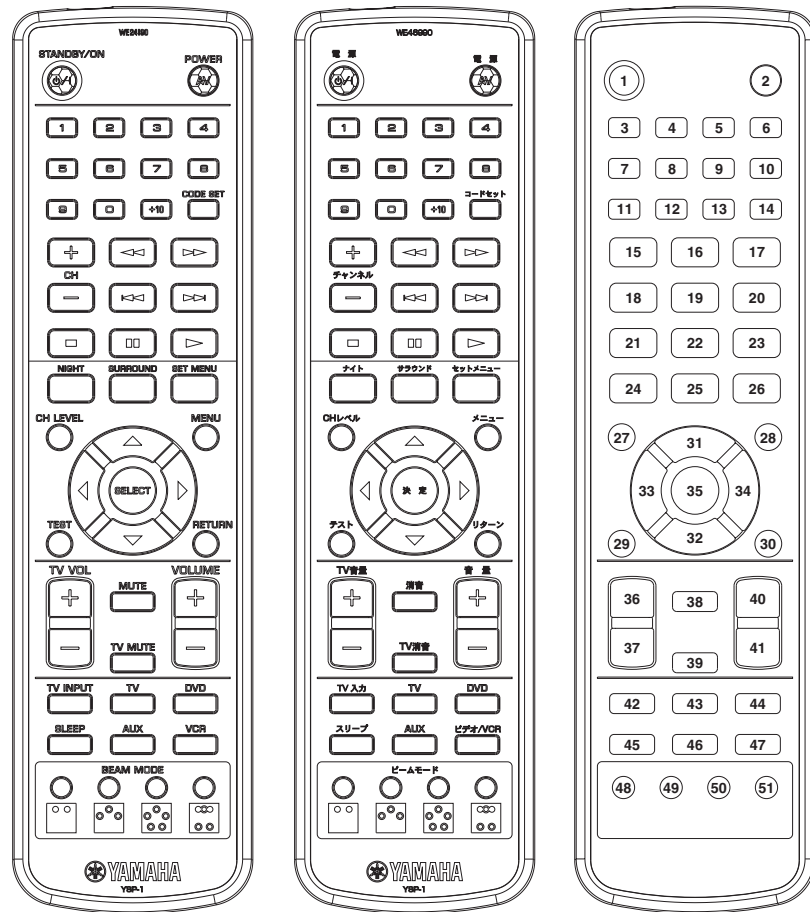


Schm Ref.	PART NO.	Description	Remarks	Markets	部品名	Rank
		ACCESSORIES			付属品	
* 200	WE469900	REMOTE CONTROL	RRC4001-1522E	J	リモコン	
* 200	WE241900	REMOTE CONTROL	RRC4001-1521E	UCRTKABGL	リモコン	
* 200-1	AAX57560	BATTERY COVER	103RRS-141-07L		電池蓋	
* 202	WE639700	POWER CABLE	2m	J	電源コード	07
* 202	WE258200	POWER CABLE	2m	UC	電源コード	
* 202	WE258300	POWER CABLE	2m	R	電源コード	
* 202	WE258400	POWER CABLE	2m	T	電源コード	
* 202	WE258500	POWER CABLE	2m	K	電源コード	
* 202	WE258600	POWER CABLE	2m	A	電源コード	
* 202	WE258700	POWER CABLE	2m	B	電源コード	
* 202	WE258800	POWER CABLE	2m	GL	電源コード	
* 203	V6508900	VIDEO PIN CABLE	1P 1.5m YE-YE 1pc		ビデオケーブル	03
* 204	V6509000	AUDIO PIN CABLE	2P 1.5m RE-YH 1pc		ステレオピンケーブル	04
* 205	WE818700	DIGITAL AUDIO PIN CABLE	1P 1.5m 1pc		デジタル音声ピンケーブル	
* 206	WE818100	OPTICAL CABLE	1P 1.5m 1pc		光ファイバーケーブル	
* 207-1	WE803000	FASTENER A	1pc		ファスナーA	
* 207-2	WE803100	FASTENER B	1pc		ファスナーB	
* 208	WE785900	CABLE CLIP	1pc		ケーブル押さえ	
		BATTERY, MANGANESE DRY	SUM-3N(2pcs)		マンガン電池 2PCS	
		SERVICE TOOL			サービス用部品	
	MFA27160	FLEXIBLE FLAT CABLE	27P 160mm P=1.0		カード電線 C&C	
	MFA18160	FLEXIBLE FLAT CABLE	18P 160mm P=1.0		カード電線 C&C	

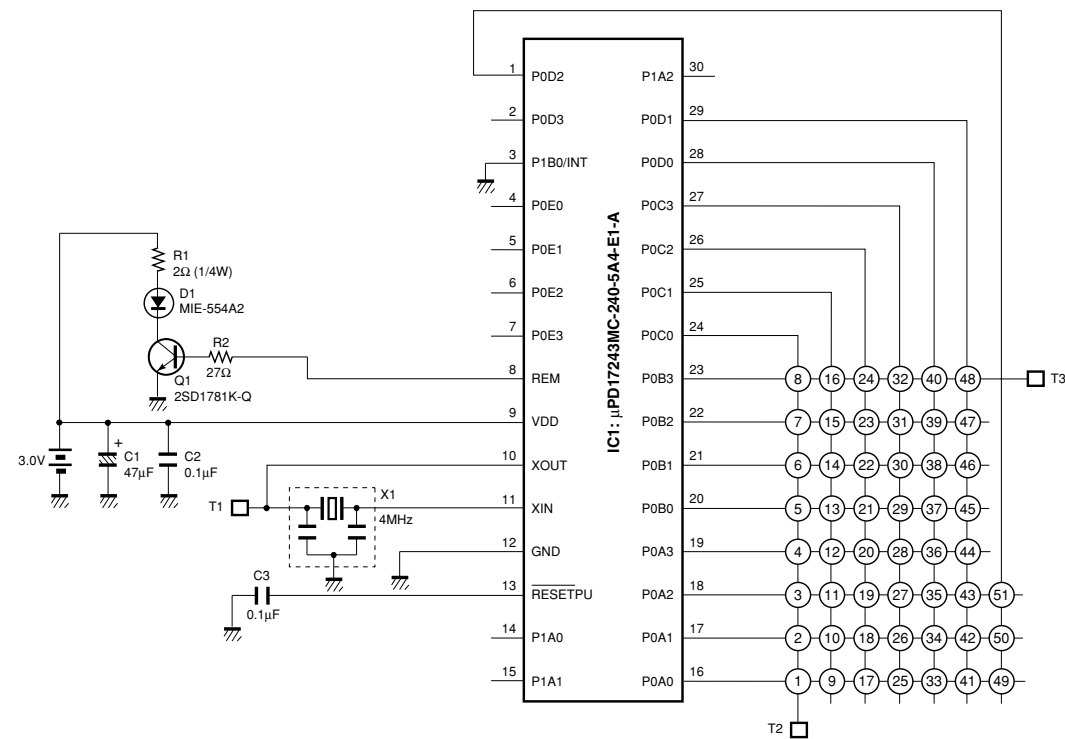
* New Parts * 新規部品

■ REMOTE CONTROL

U, C, R, T, K, A, B, G, L models J model



■ SCHEMATIC DIAGRAM



Key No.	Function	CODE			
		TV	DVD	AUX	VCR
1	STANDBY/ON		78-0F		-
2	POWER AV	-	50-17	-	-
3	1	-	50-0D	-	-
4	2	-	50-0E	-	-
5	3	-	50-0F	-	-
6	4	-	50-1C	-	-
7	5	-	50-1D	-	-
8	6	-	50-1E	-	-
9	7	-	50-1F	-	-
10	8	-	50-04	-	-
11	9	-	50-05	-	-
12	0	-	50-0C	-	-
13	+10	-	-	-	-
14	CODE SET	-	-	-	-
15	CH +	-	50-19	-	-
16	SEARCH -	-	-	-	-
17	SEARCH +	-	-	-	-
18	CH -	-	50-18	-	-
19	SKIP -	-	-	-	-
20	SKIP +	-	-	-	-
21	STOP	-	-	-	-
22	PAUSE	-	-	-	-
23	PLAY	-	-	-	-
24	NIGHT		78-8A		
25	SURROUND		78-99		
26	SET MENU		78-9D		
27	CH LEVEL		78-48		
28	MENU	-	-	-	-
29	TEST		78-5F		
30	RETURN		78-C0		
31	UP		78-8E		
32	DOWN		78-8F		
33	LEFT		78-9F		
34	RIGHT		78-9E		
35	SELECT		78-C1		
36	TV VOL +		50-12		
37	TV VOL -		50-15		
38	MUTE		78-9C		
39	TV MUTE		50-0B		
40	VOLUME +		78-1E		
41	VOLUME -		78-1F		
42	TV INPUT		50-09		
43	TV		78-DF		
44	DVD		87-4A		
45	SLEEP		78-4F		
46	AUX		78-DE		
47	VCR		78-49		
48	STEREO		78-50		
49	3CH BEARM		78-C4		
50	5CH BEARM		78-C2		
51	STEREO + 3CH		78-C3		

YSP-1

